

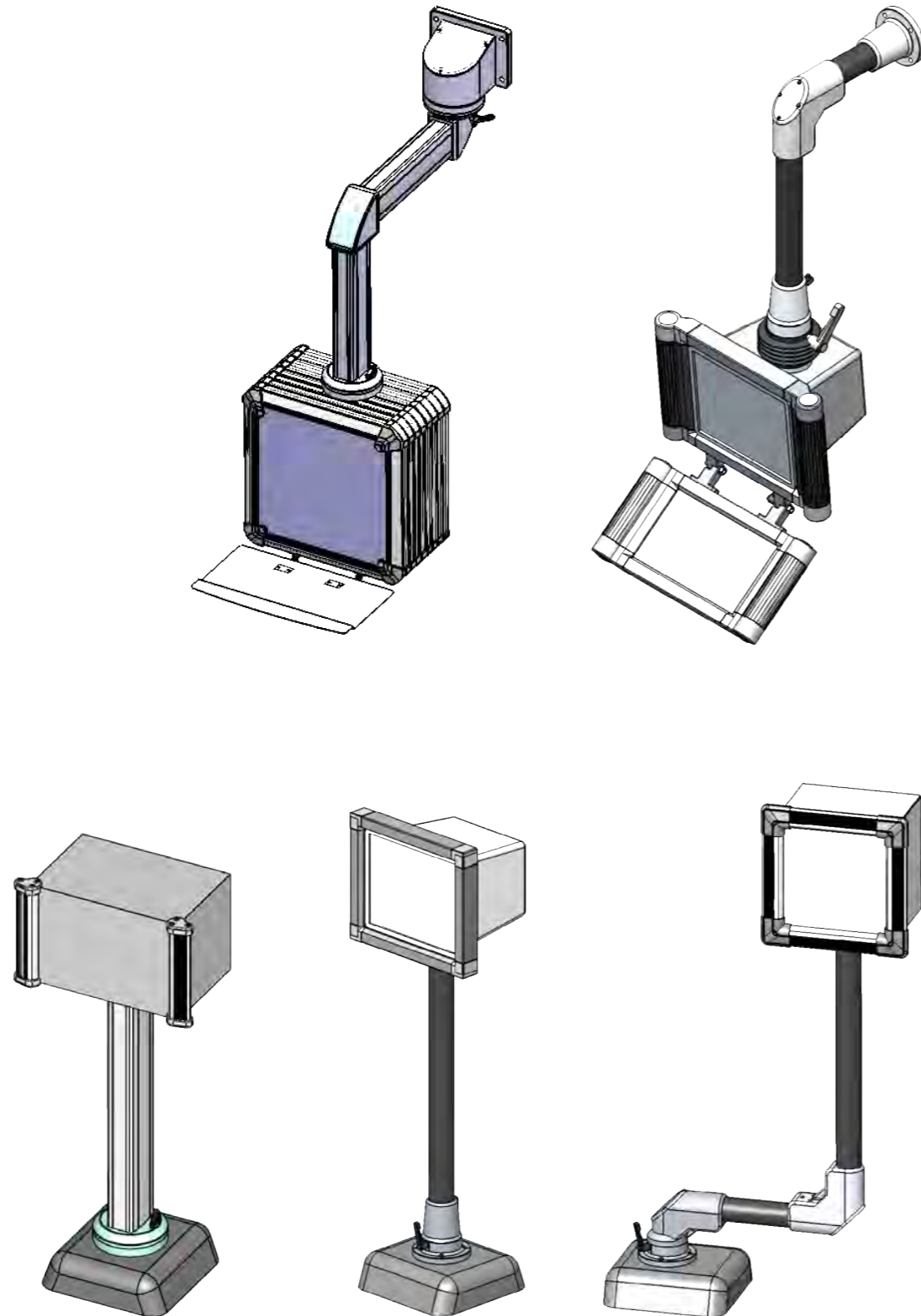


**DARSHANA<sup>®</sup>**  
**INDUSTRIES PVT. LTD.**

Outline your needs, we will do the rest

# Support Arm System

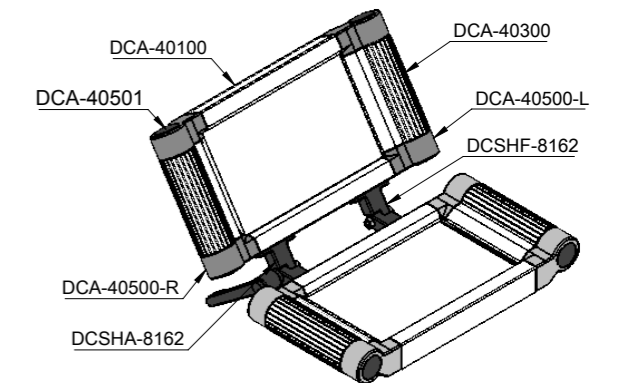
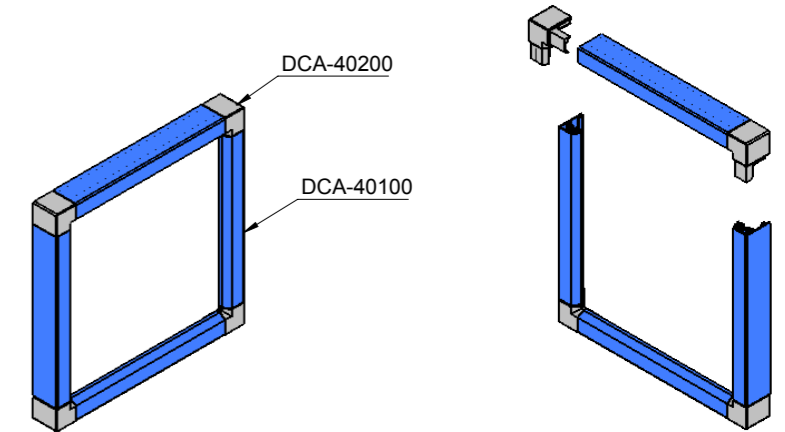
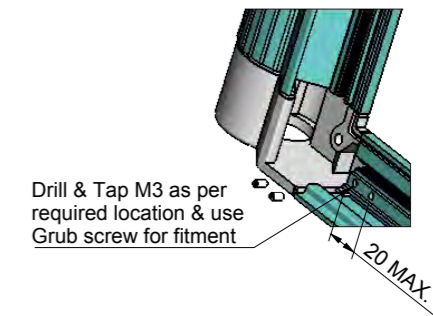
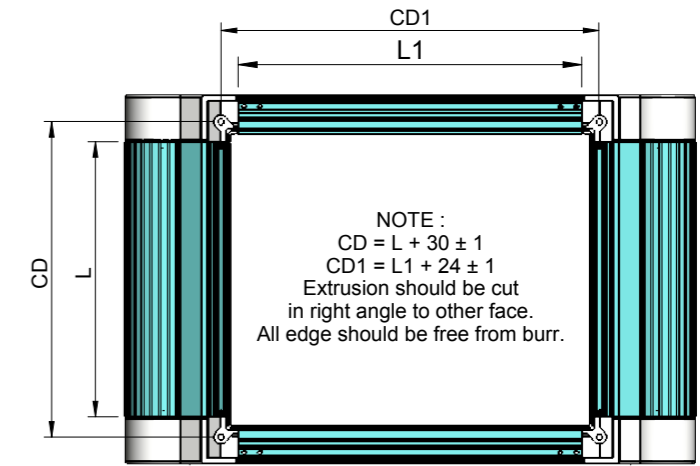
## Flexible Mounting



Application  
Application Views, Pipes are shown for application only

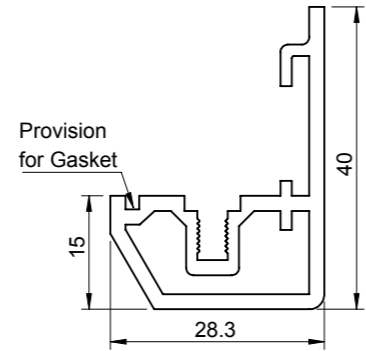
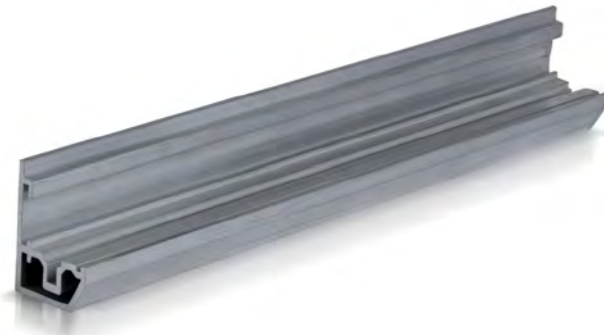
# Support Arm System

## Flexible Mounting

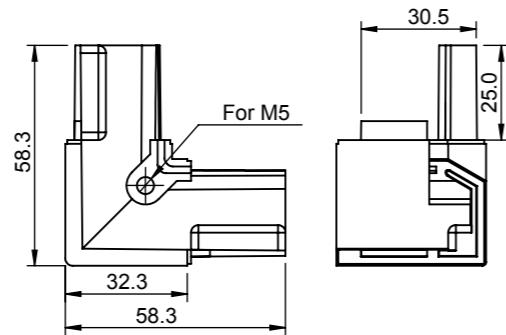


Application  
DCA-40300 / DCA-40500-L / DCA-40500-R

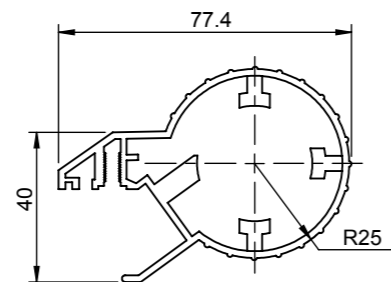
## Support Arm System Console Accessories



Product Code	Material	Std. Length	Finish	Description
DCA-40100	Aluminium	1 mtr.	Raw	Aluminium Extrusion

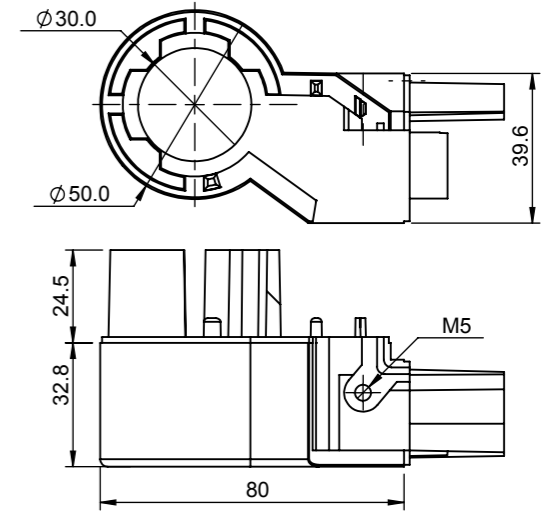


Product Code	Material	Finish	Description
DCA-40200	Zinc	Raw	Corners

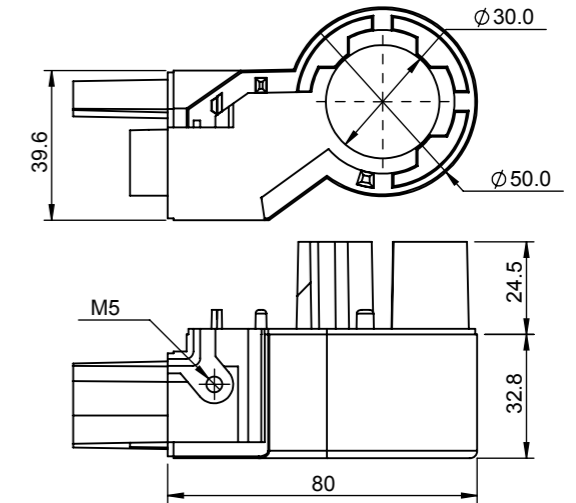


Product Code	Material	Std. Length	Finish	Description
DCA-40300	Aluminium	1 mtr.	Raw	Aluminium Extrusion

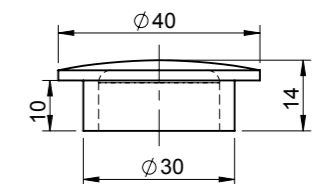
## Support Arm System Console Accessories



Product Code	Material	Finish	Description
DCA-40500-L	Zinc	Raw	Corners



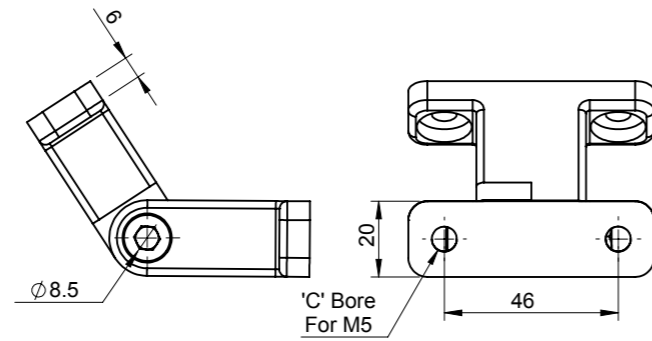
Product Code	Material	Finish	Description
DCA-40500-R	Zinc	Raw	Corners



Product Code	Material	Description
DCA-40501	Polyamide	Cap

# Support Arm System

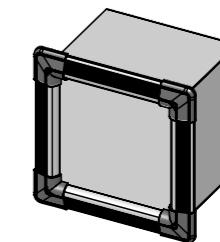
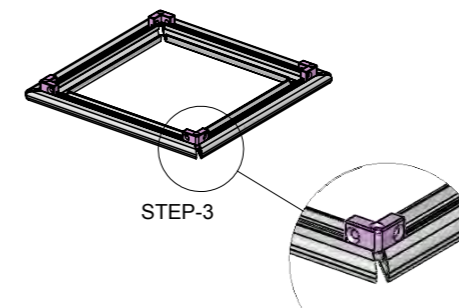
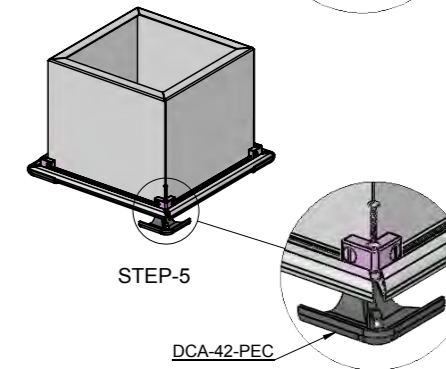
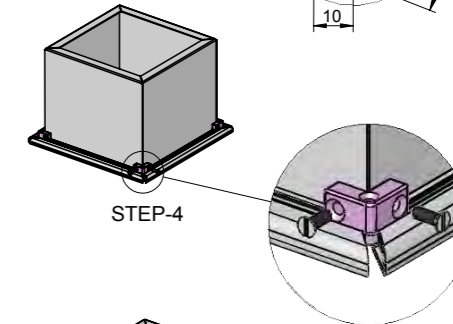
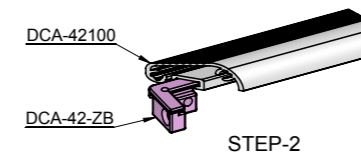
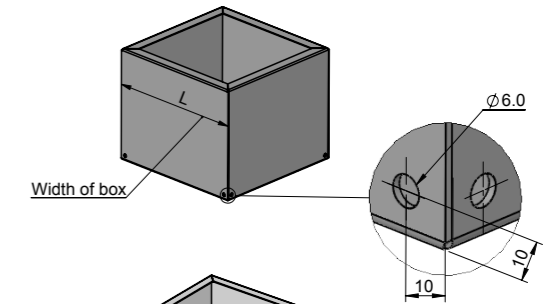
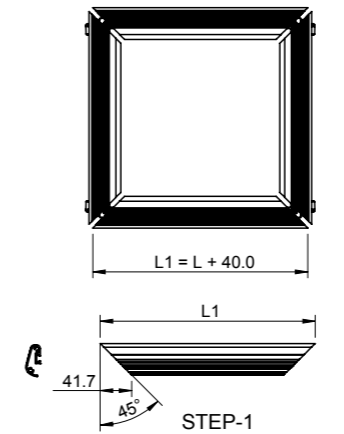
## Console Accessories



Product Code	Material	Finish	Description
DCSHF-8162	Zinc	Black PC	Adjustable Stay Hinge
DCSHA-8162	Zinc	Black PC	Adjustable Stay Hinge with Handle

# Support Arm System

## Console Accessories



Steps for Assembly  
DCA-42

# Support Arm System

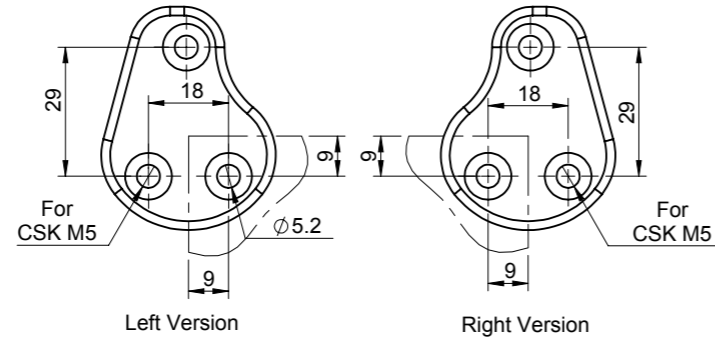
## Console Accessories



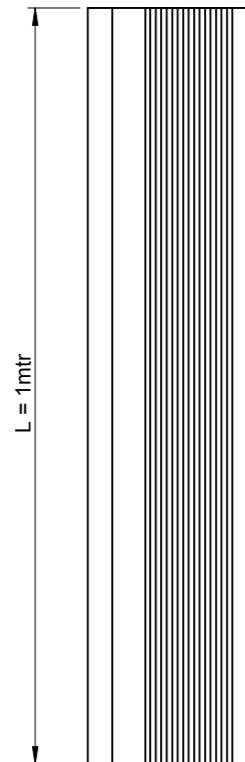
DCA-42200-L



DCA-42200-R

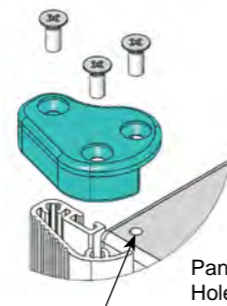


DCA-42100

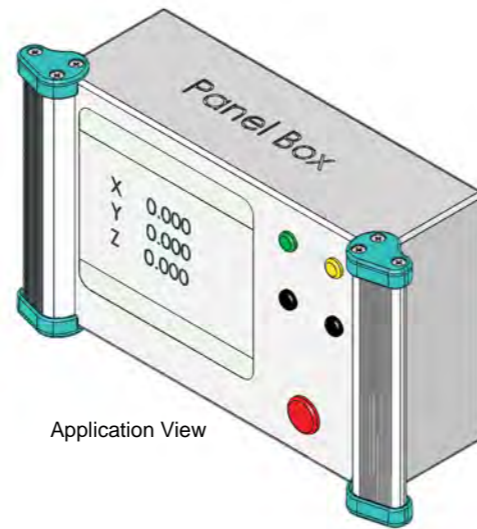


Use self tapping M5 Screws

Extrusion



Panel Fixing Hole from edge 9x9mm



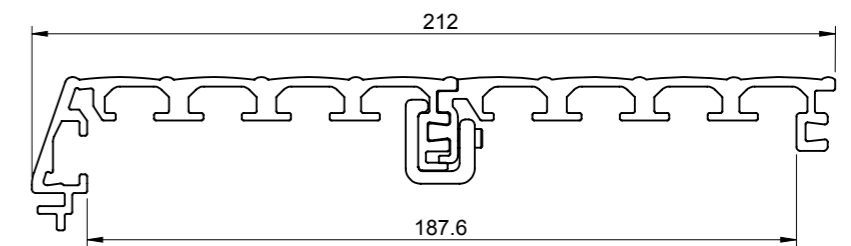
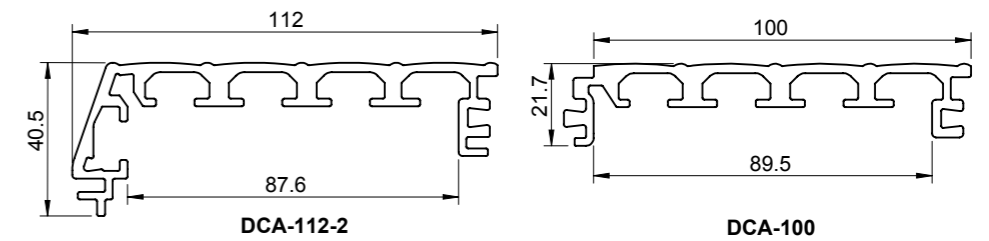
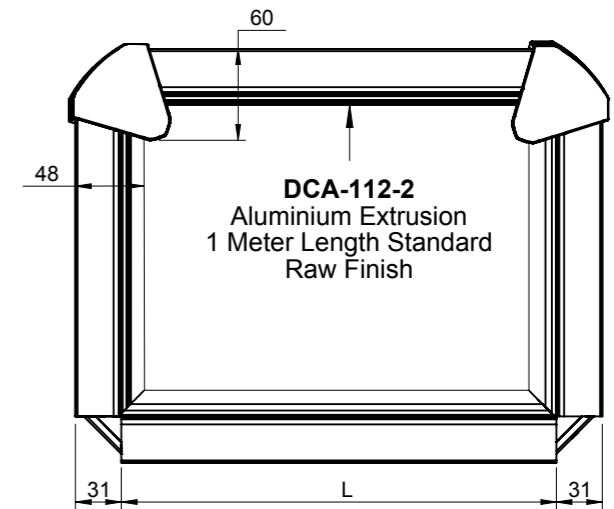
Application View

Product Code	Material	Finish
DCA-42200-L	Zinc	Raw
DCA-42200-R	Zinc	Raw
DCA-42100	Aluminium	Raw

1 Meter Lenth is Standard

# Support Arm System

## Console Accessories

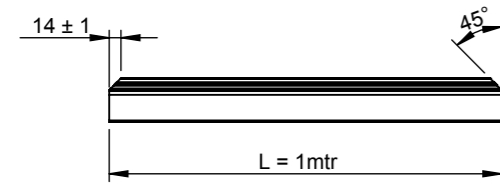


Product Code	Material	Length	Finish
DCA-112	Aluminium	1 mtr.	Raw
DCA-112-SPC	Aluminium	1 mtr.	SPC
DCA-100	Aluminium	1 mtr.	Raw

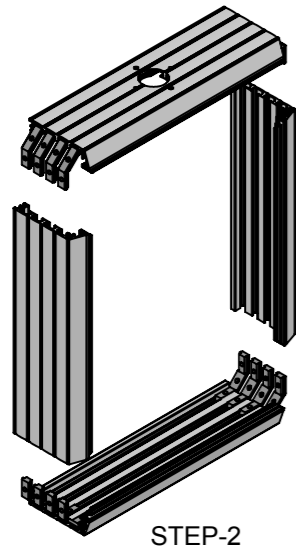
Enclosures can be manufactured as per customer's requirement. Width will be standard. (112 / 212mm)

# Support Arm System

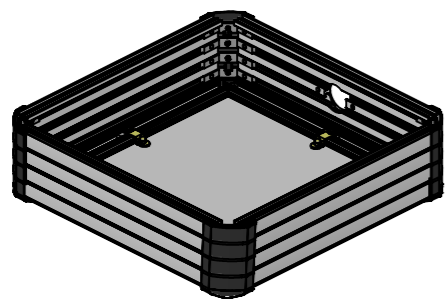
## Console Accessories



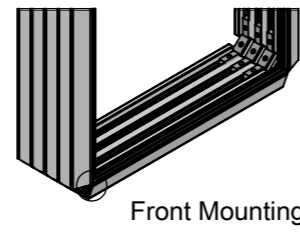
STEP-1



STEP-2

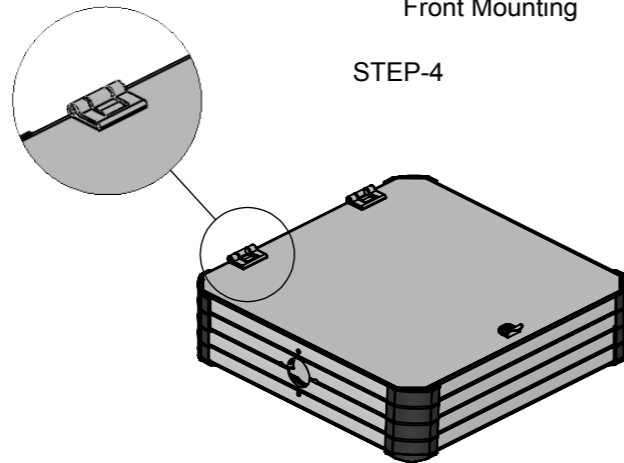


Recommended Front Mounting  
STEP-3

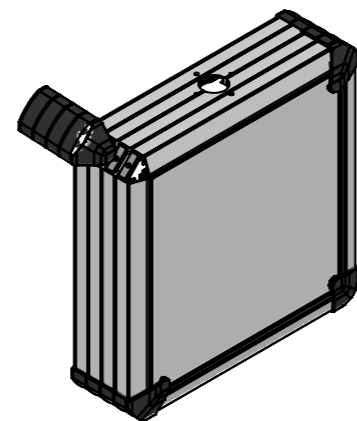


Front Mounting

STEP-4



STEP-5



STEP-6

Steps for Assembly

DCA-112

# Support Arm System

## Console Accessories



DCA-112-ZB-1



DCA-112-RGF



AP6-M6



DCA-112-EB-2



DCA-112-PEC



DHIZC-45



DCA-112-MBF



Back View



Internal Assembly View

Product Code	Material	Finish	Description
DCA-112-ZB-1	Zinc	Raw	Corner Joint
DCA-112-RGF	Rubber	-	Front Mounting Gasket
AP6-M6	Zinc	Blue Zinc	Stay Plug
DCA-112-EB-2	Zinc	Raw	Extension Bracket
DCA-112-PEC	Polyamide	-	Polyamide End Cap
DHIZC-45	Zinc	Chrome	Hinge
DCA-112-MBF	MS	Yellow Zinc	Front Mounting Bracket

# Support Arm System

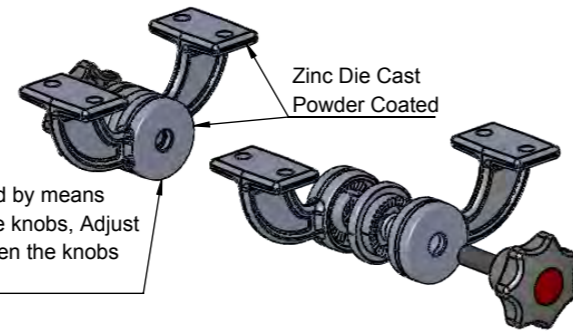
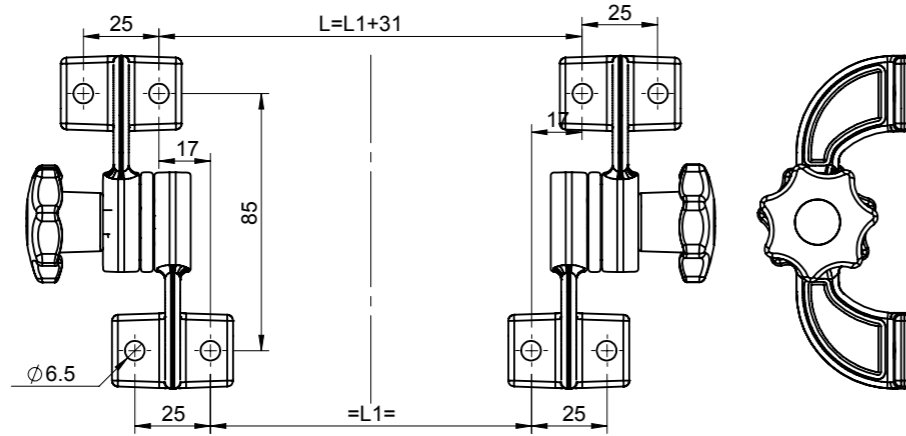
## Console Accessories



DZKBA-L

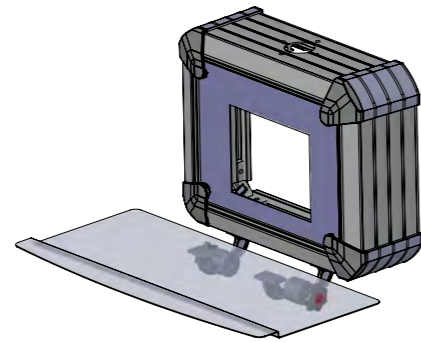


DZKBA-R



Zinc Die Cast Powder Coated

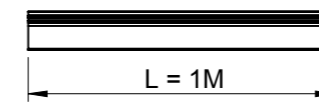
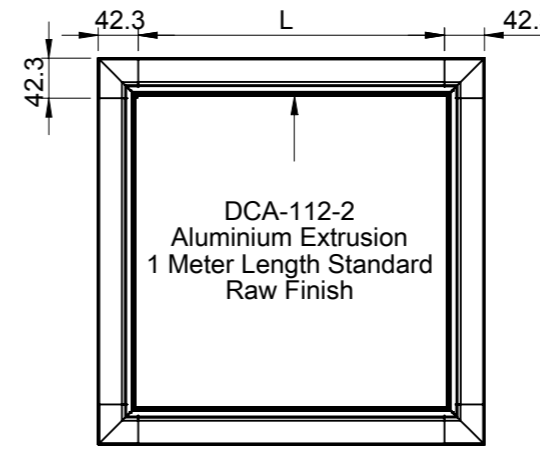
Angle can be adjusted by means of Knobs. Release the knobs, Adjust the angle & then tighten the knobs on both sides.



Product Code	Material	Finish	Description
DZKBA-L	Zinc	Black PC	Key Board Bracket
DZKBA-R	Zinc	Black PC	Key Board Bracket

# Support Arm System

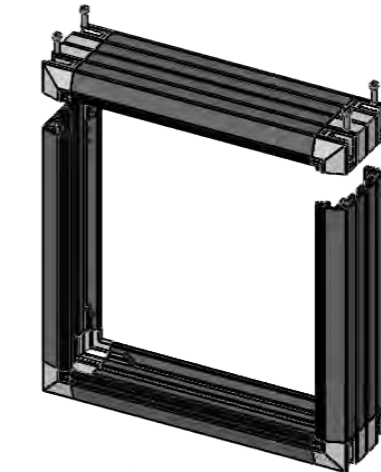
## Console Accessories



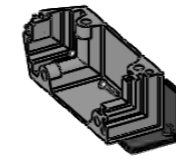
STEP-1



STEP-2



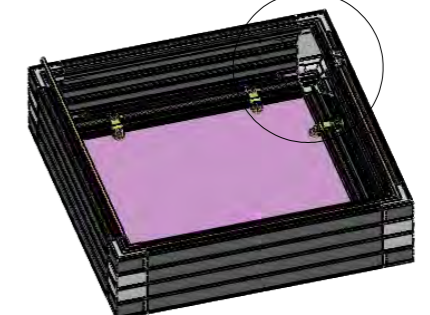
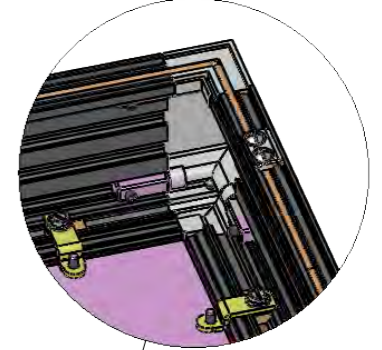
STEP-3



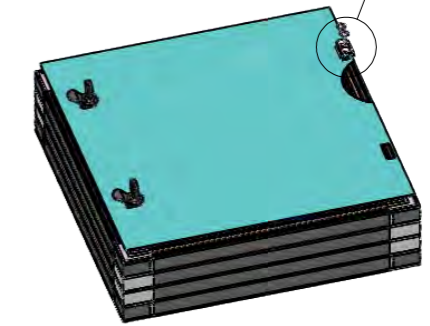
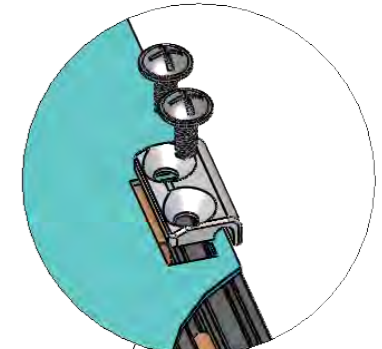
STEP-4



STEP-5



STEP-6



STEP-7

Steps for Assembly
DCA-112-2

# Support Arm System

## Console Accessories



DCA-100-ZC-2



DCA-112-ZC-2



DCA-112-PEC-2-Black / Blue



DCA-112-ZB-2



DCA-112-ZH-2



AP6-M6



DCA-112-MBF



DCA-112-RGF-2-Black / Blue



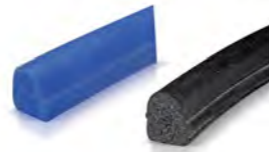
DCA-112-RGS-2



DCA-112-ZC-2-RGS



DCA-112-EB-2

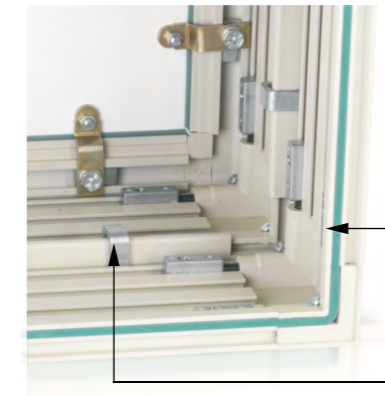
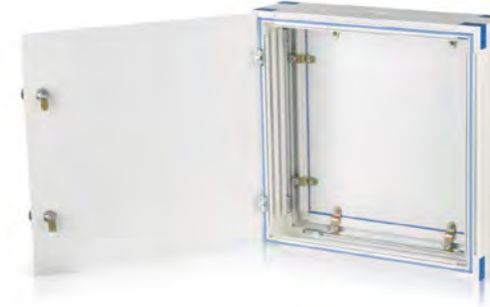


DCA-112-RGB-2-Black / Blue

Product Code	Material	Finish	Description
DCA-100-ZC-2	Zinc	Raw	Corner
DCA-112-ZC-2	Zinc	Raw	Corner
DCA-112-PEC-2-Black / Blue	Polyamide	-	Cap Std. Black, Available in Blue
DCA-112-ZB-2	Zinc	Raw	Bracket
DCA-112-ZH-2	Zinc	Raw	Hinge
AP6-M6	Zinc	Blue Zinc	Stay Plug
DCA-112-MBF	MS	Yellow Zinc	Cam Mounting Bracket
DCA-112-RGF-2-Black / Blue	Rubber	-	Cap Std. Black, Available in Blue
DCA-112-RGS-2	Rubber	-	Gasket
DCA-112-ZC-2-RGS	Rubber	-	Gasket
DCA-112-EB-2	Zinc	Raw	Extension Bracket
DCA-112-RGB-2-Black / Blue	Rubber	-	Cap Std. Black, Available in Blue

# Support Arm System

## Console Accessories



DCA-112-RGB-2 Rubber Gasket Back

DCA-112-RGB-2 Rubber Gasket Back

Assembly of DCA-112 + DCA-100



### Steps for Assembly

#### DCA-112-2



## Support Arm System

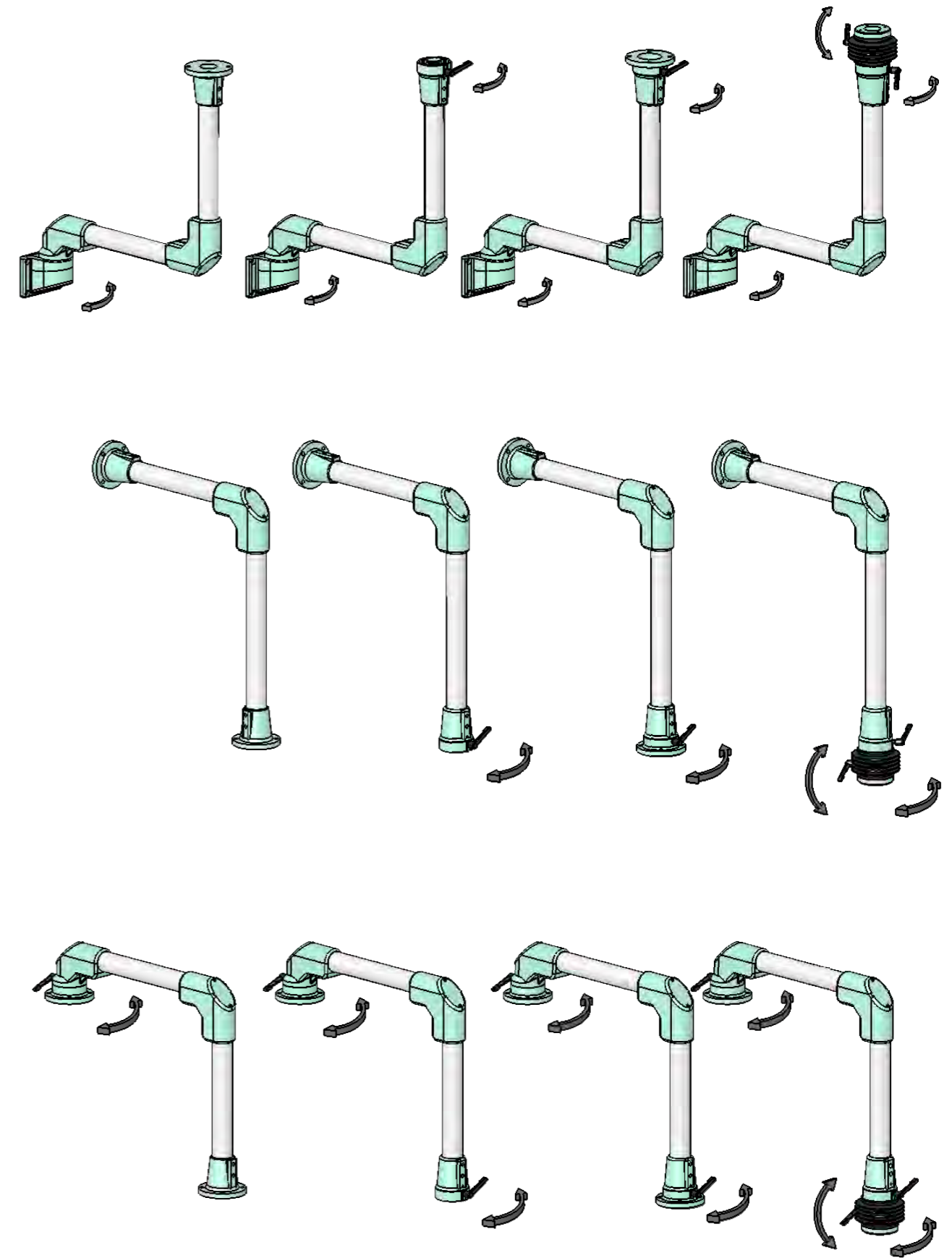
## Support Arm



Application View  
48-Series, Use  $\varnothing$  49 mm Coated Pipe

## Support Arm System

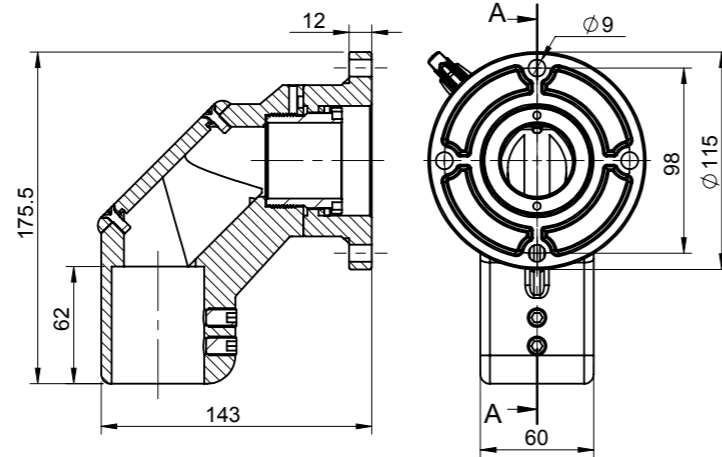
## Support Arm



Application View  
48-Series, Use  $\varnothing$  49 mm Coated Pipe

## Support Arm System

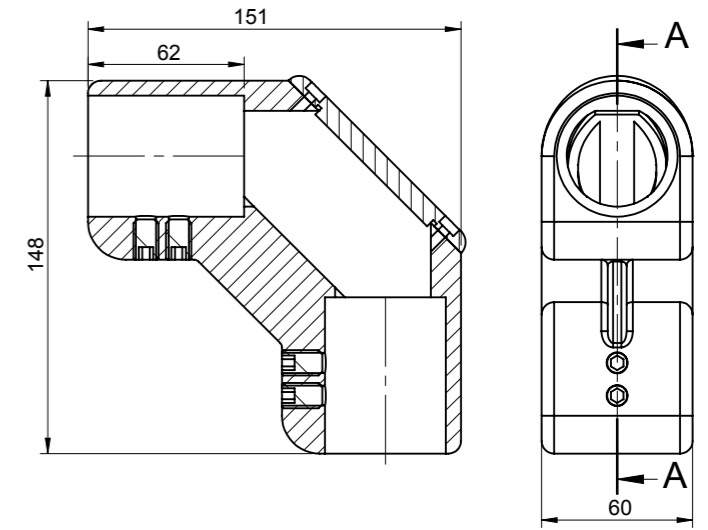
## Support Arm



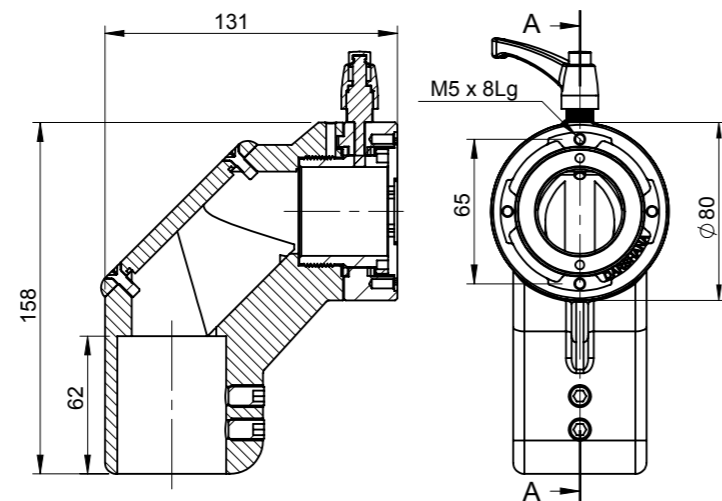
Product Code	Material	Pipe Diameter	Rotation Angle	Finish	Description
DCFRE-48	Aluminium	To Fit Ø49mm Coated Pipe	290°	Gray PC	Flange Mount Revolving Elbow

## Support Arm System

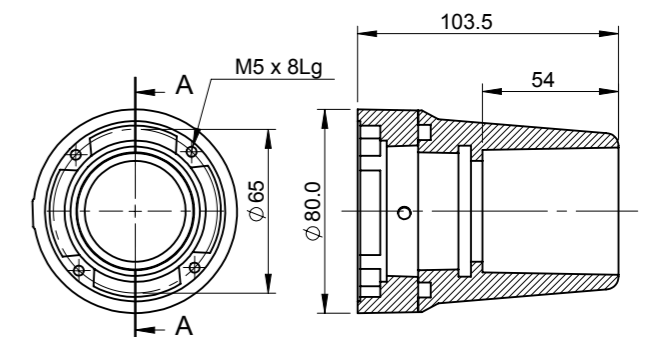
## Support Arm



Product Code	Material	Pipe Diameter	Finish	Description
DCE-48	Aluminium	To Fit Ø49mm Coated Pipe	Gray PC	Elbow



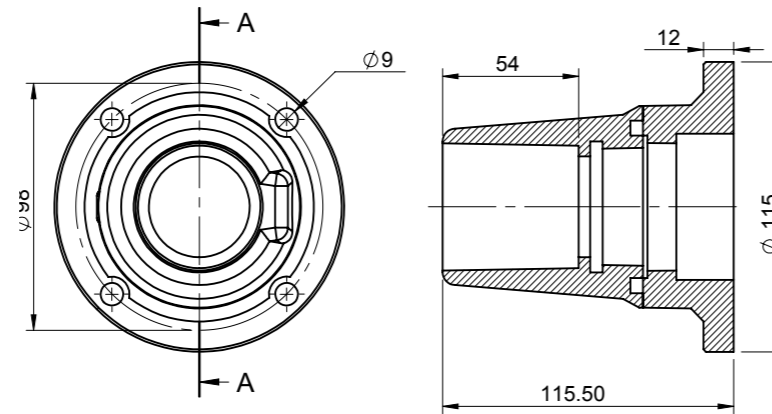
Product Code	Material	Pipe Diameter	Rotation Angle	Finish	Description
DCRE-48	Aluminium	To Fit Ø49mm Coated Pipe	290°	Gray PC	Revolving Mount



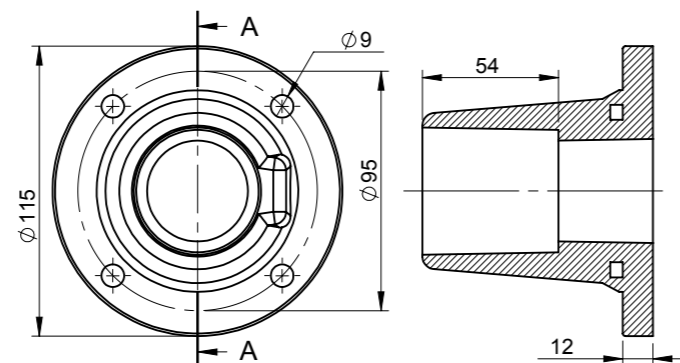
Product Code	Material	Pipe Diameter	Rotation Angle	Finish	Description
DCR-48	Aluminium	To Fit Ø49mm Coated Pipe	290°	Gray PC	Revolving Unit

# Support Arm System

## Support Arm



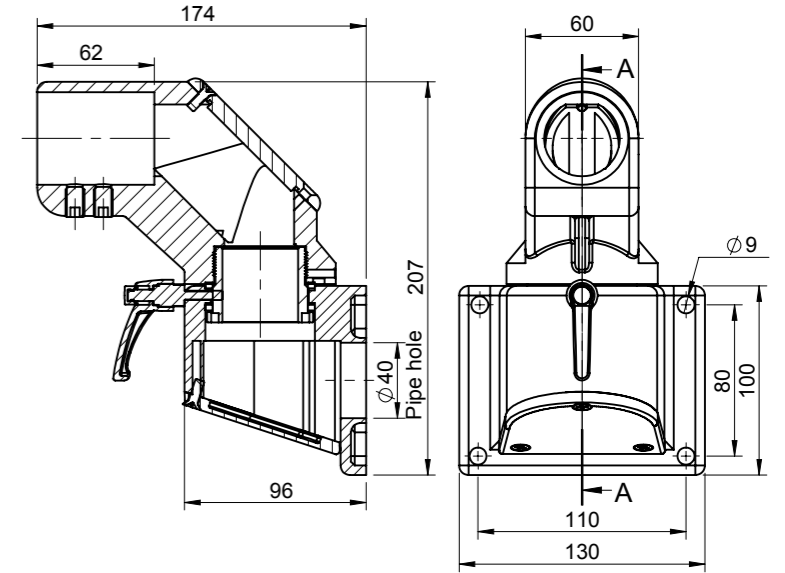
Product Code	Material	Pipe Diameter	Rotation Angle	Finish	Description
<b>DCFR-48</b>	Aluminium	To Fit Ø49mm Coated Pipe	290°	Gray PC	Flange Mount Revolving Unit



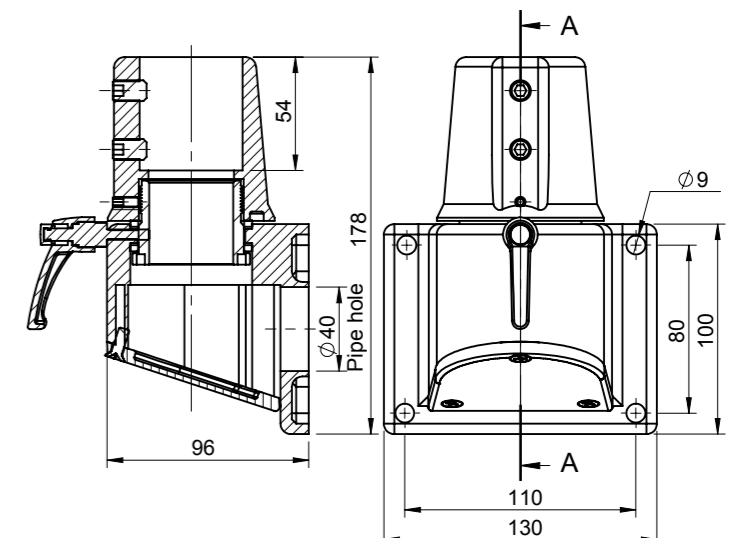
Product Code	Material	Pipe Diameter	Finish	Description
<b>DCM-48</b>	Aluminium	To Fit Ø49mm Coated Pipe	Gray PC	Fixed Mount

# Support Arm System

## Support Arm



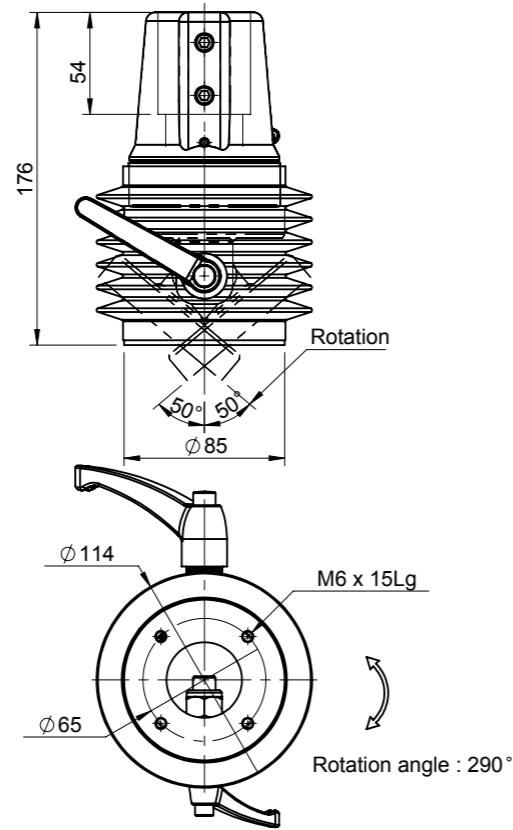
Product Code	Material	Pipe Diameter	Rotation Angle	Finish	Description
<b>DCWRE-48</b>	Aluminium	To Fit Ø49mm Coated Pipe	290°	Gray PC	Wall Mount Revolving Elbow



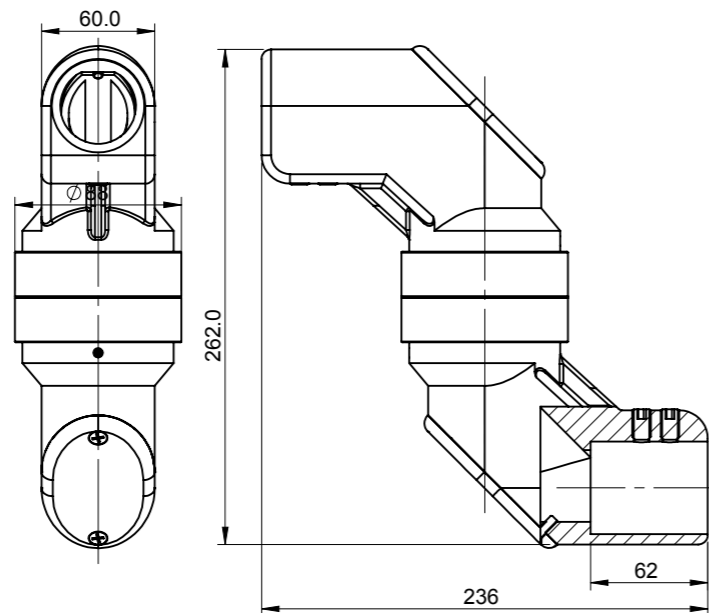
Product Code	Material	Pipe Diameter	Rotation Angle	Finish	Description
<b>DCWR-48</b>	Aluminium	To Fit Ø49mm Coated Pipe	290°	Gray PC	Wall Mount Revolving Unit

# Support Arm System

## Support Arm



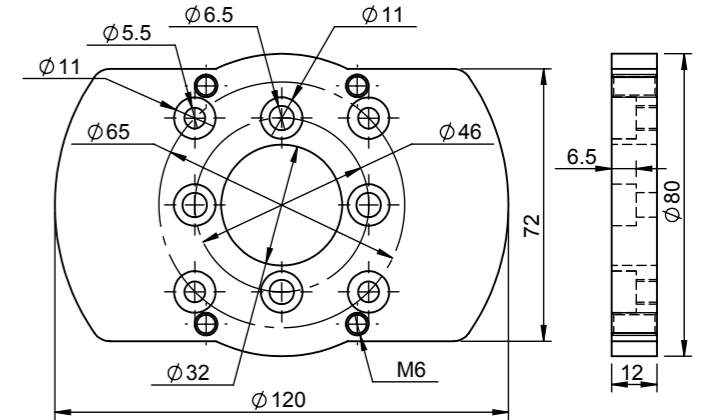
Product Code	Material	Pipe Diameter	Rotation Angle	Finish	Description
<b>DCRT-48</b>	Aluminium	To Fit Ø49mm Coated Pipe	290°	Gray PC	Tilt & Revolving Unit



Product Code	Material	Pipe Diameter	Rotation Angle	Finish	Description
<b>DCPRE-48</b>	Aluminium	To Fit Ø49mm Coated Pipe	360°	Gray PC	Pivot Mount

# Support Arm System

## Support Arm

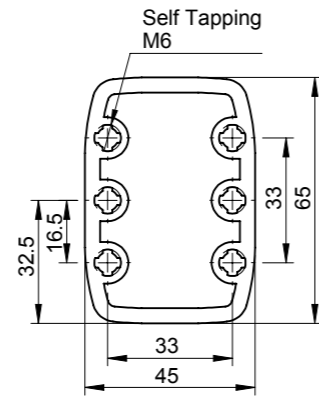


2020

Product Code	Material	Pipe Diameter	Rotation Angle	Finish	Description
<b>DCPRE-48</b>	Aluminium	To Fit Ø49mm Coated Pipe	360°	Gray PC	Pivot Mount

# Support Arm System

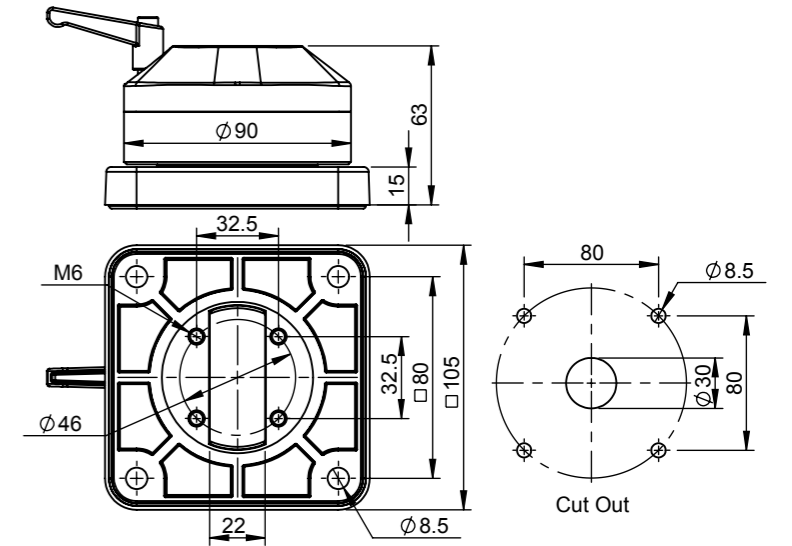
## Support Arm



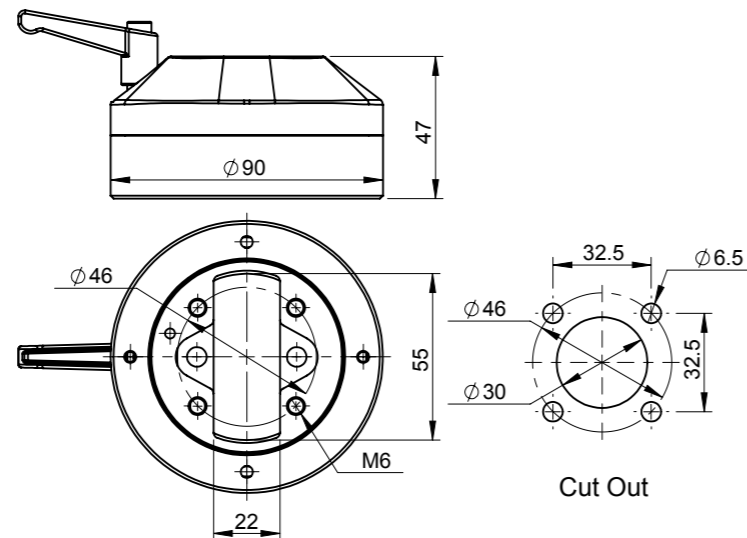
Product Code	Material	Standard Length (mm)	Finish	Description
<b>DCSA-4565</b>	Aluminium	1000, 2000	Raw	Aluminium Extrusion
<b>DCSA-4565-SPC</b>	Aluminium	1000, 2000	SPC	Aluminium Extrusion

# Support Arm System

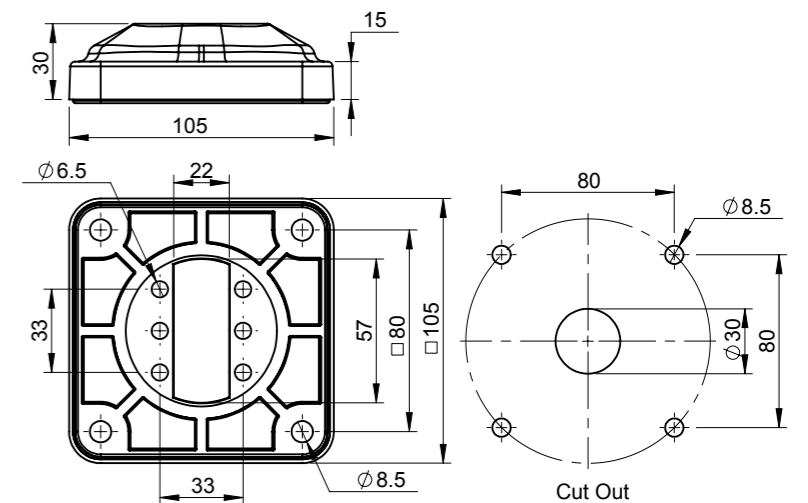
## Support Arm



Product Code	Material	Rotation Angle	Finish	Description
<b>DCSFR-4565</b>	Aluminium	320°	Gray PC	Flange Mount Revolving Unit



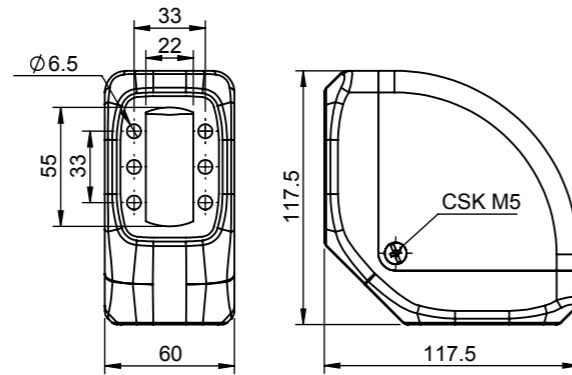
Product Code	Material	Rotation Angle	Finish	Description
<b>DCSR-4565</b>	Aluminium	320°	Gray PC	Revolving Unit



Product Code	Material	Finish	Description
<b>DCSM-4565</b>	Aluminium	Gray PC	Fixed Mount

# Support Arm System

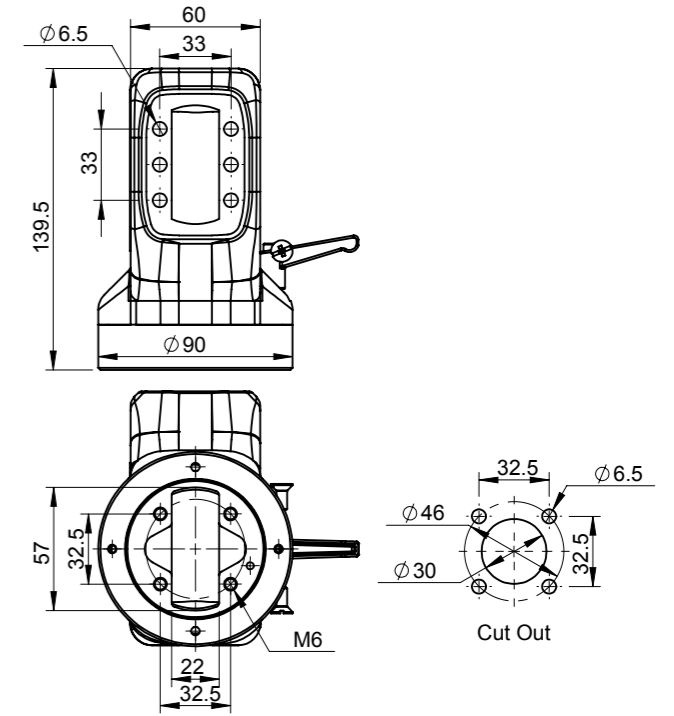
## Support Arm



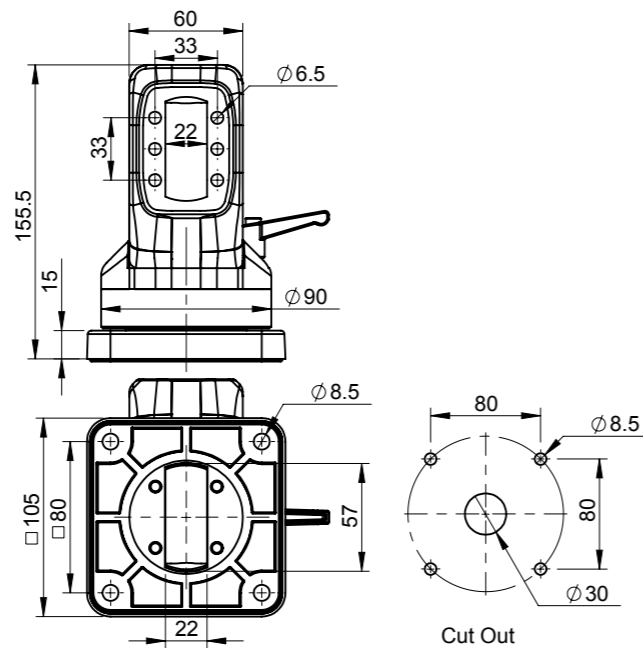
Product Code	Material	Finish	Description
DCSE-4565	Aluminium	Gray PC	Elbow

# Support Arm System

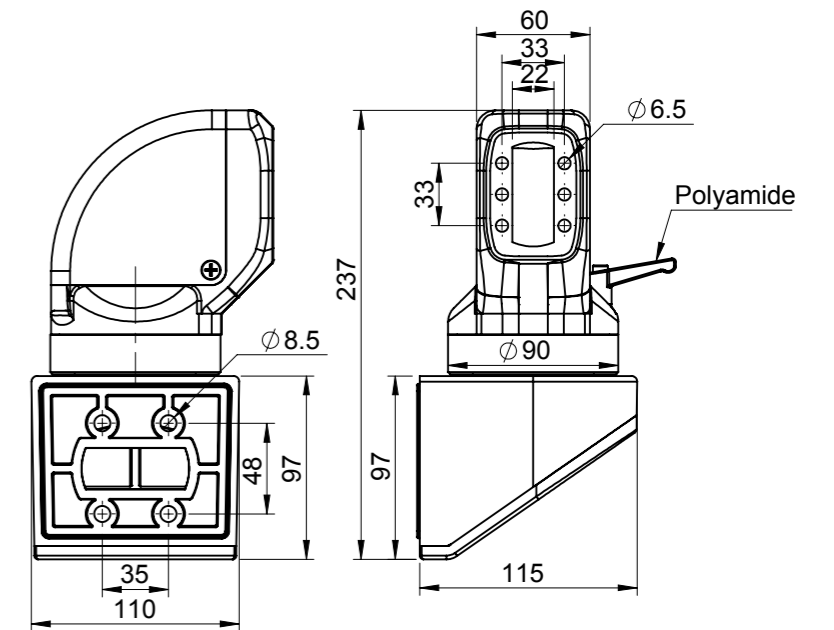
## Support Arm



Product Code	Material	Rotation Angle	Finish	Description
DCSRE-4565	Aluminium	320°	Gray PC	Revolving Unit



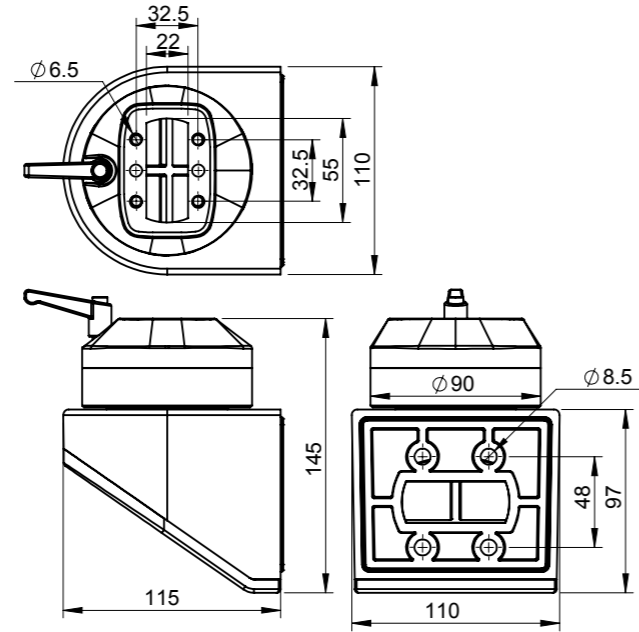
Product Code	Material	Rotation Angle	Finish	Description
DCSFRE-4565	Aluminium	320°	Gray PC	Flange Mount Revolving Elbow



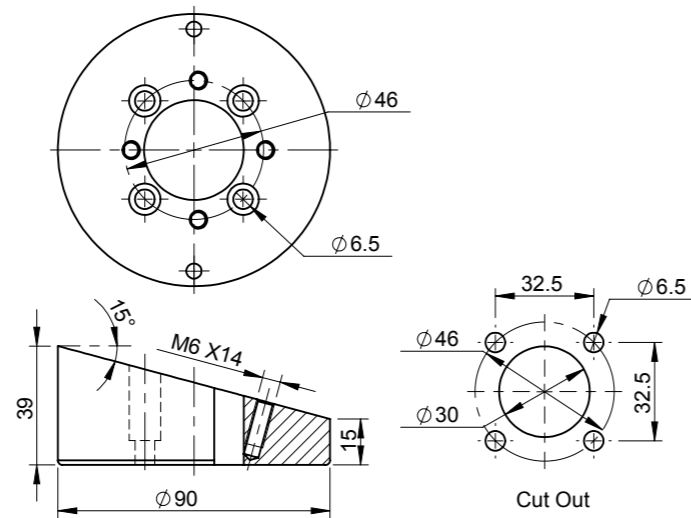
Product Code	Material	Rotation Angle	Finish	Description
DCSWRE-4565	Aluminium	320°	Gray PC	Wall Mount Revolving Elbow

# Support Arm System

## Support Arm



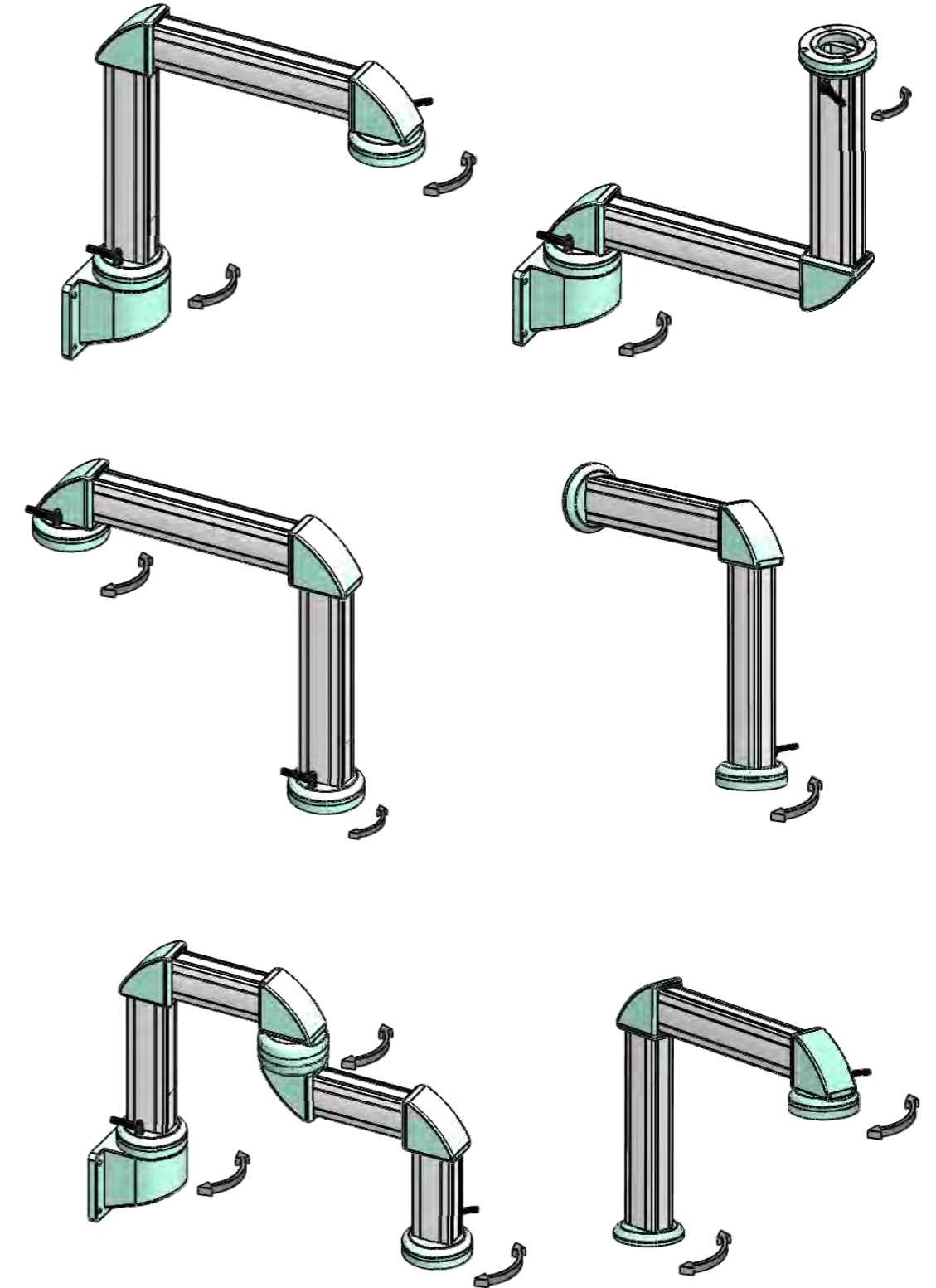
Product Code	Material	Finish	Rotation Angle	Description
DCSWR-4565	Aluminium	Gray PC	320°	Wall Mount Revolving Unit



Product Code	Material	Finish	Description
DCSRA-4565	Aluminium	Gray PC	Adaptor

# Support Arm System

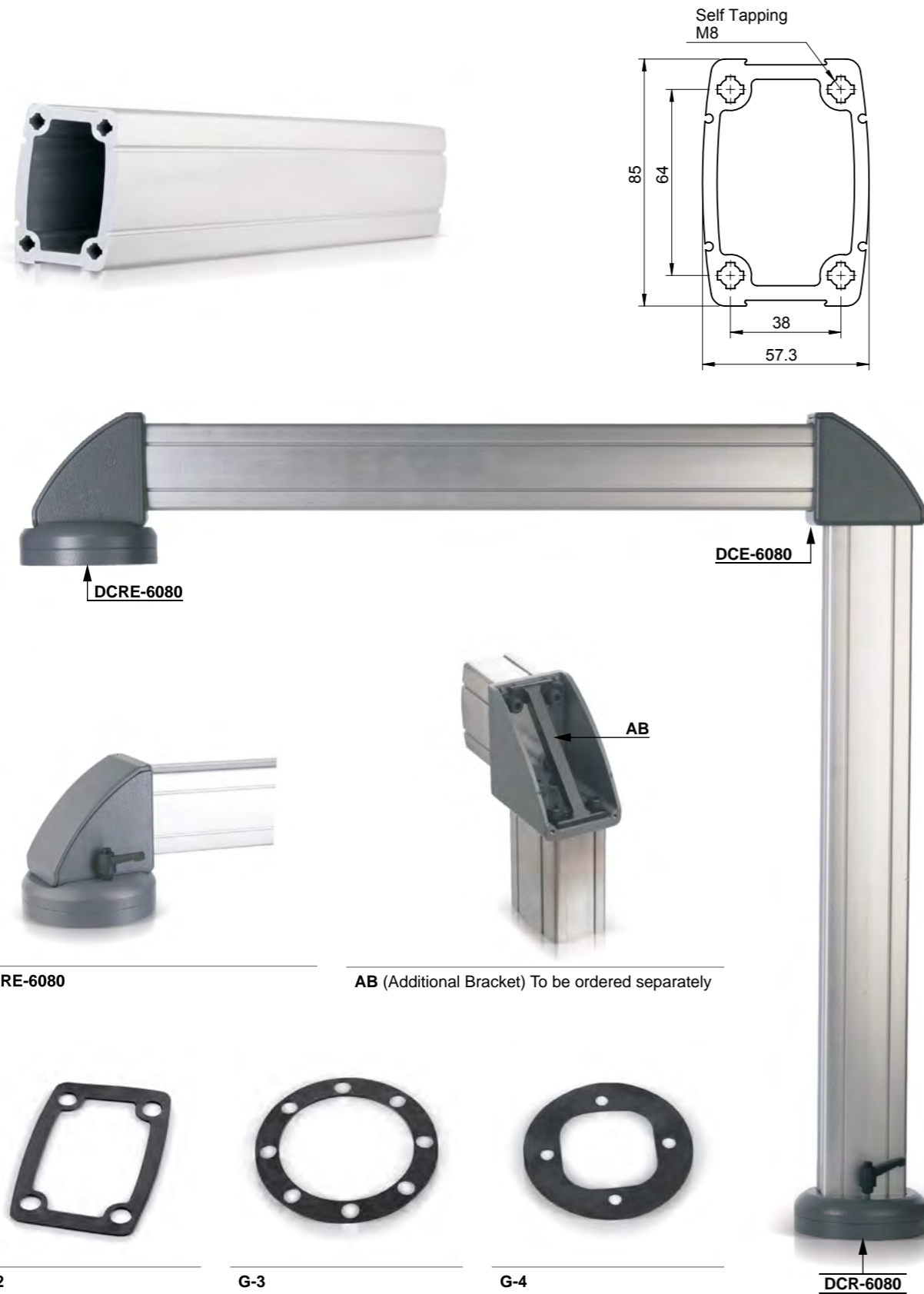
## Support Arm



Application View
6080-Series

# Support Arm System

## Support Arm



DCRE-6080

AB (Additional Bracket) To be ordered separately

G-2

G-3

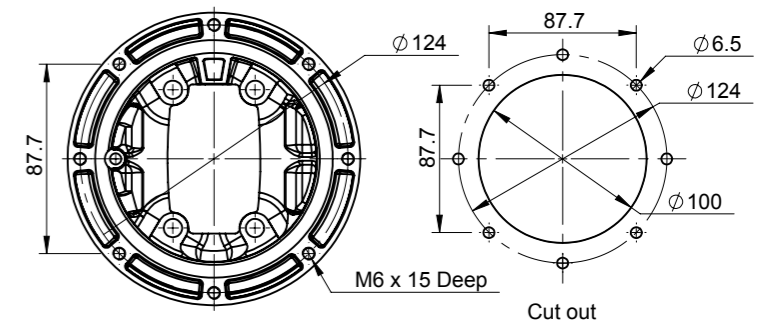
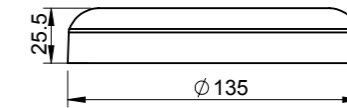
G-4

DCR-6080

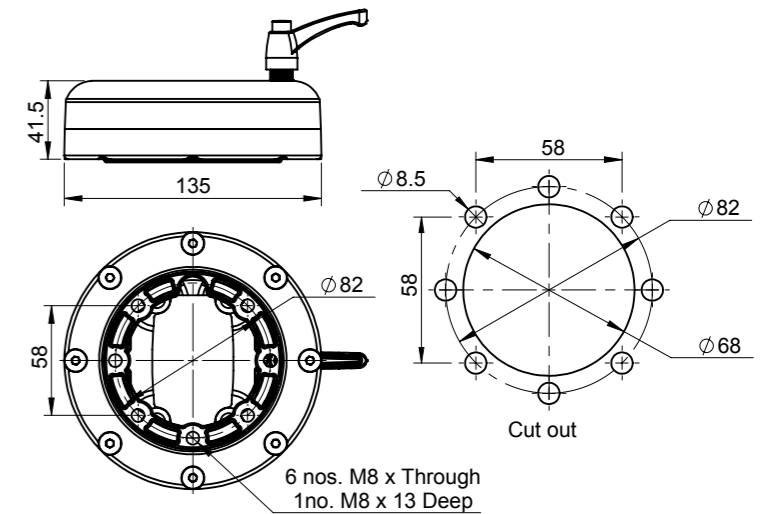
Product Code	Material	Standard Length (mm)	Finish	Description
DCA-6080	Aluminium	1000, 1500, 2000	Raw	Aluminium Extrusion
DCA-6080-SPC	Aluminium	1000, 1500, 2000	SPC	Aluminium Extrusion

# Support Arm System

## Support Arm



Product Code	Material	Finish	Description
DCF-6080	Zinc	Gray PC	Fixed Mount

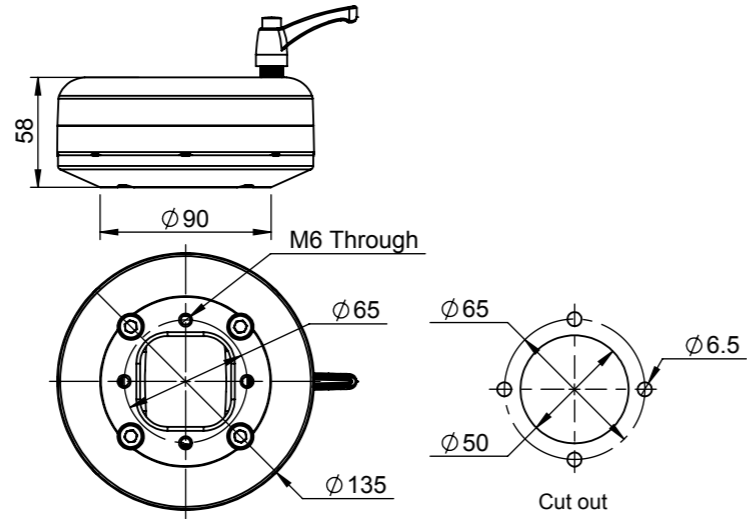


Product Code	Material	Rotation Angle	Finish	Description
DCR-6080	Zinc	310°	Gray PC	Revolving Unit
Standard : D.A. Grey Structure				
Available : Siemens Grey Texture on Minimum Order				

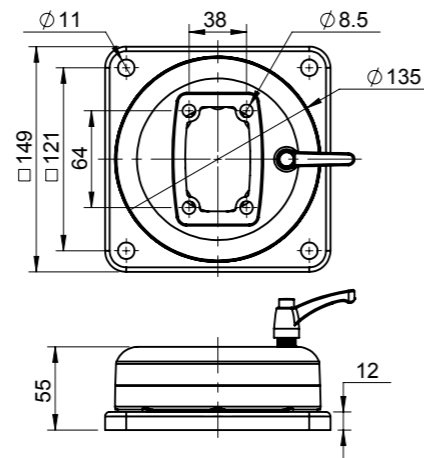


# Support Arm System

## Support Arm



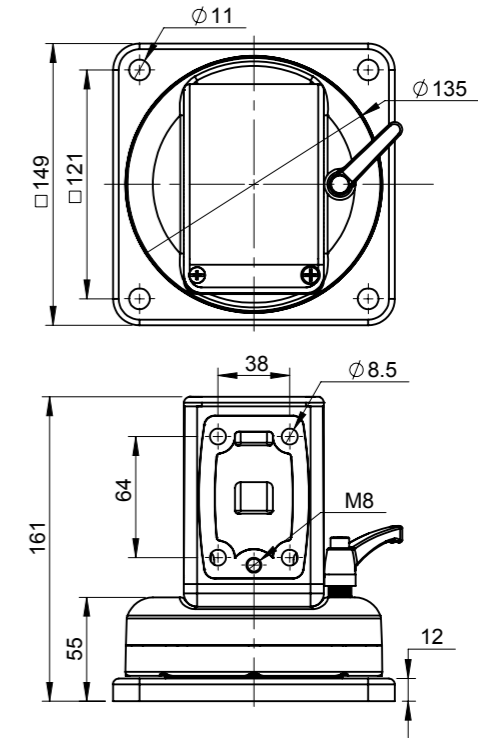
Product Code	Material	Rotation Angle	Finish	Description
<b>DCR-SA-6080</b>	Zinc	310°	Gray PC	Revolving Unit with Adaptor



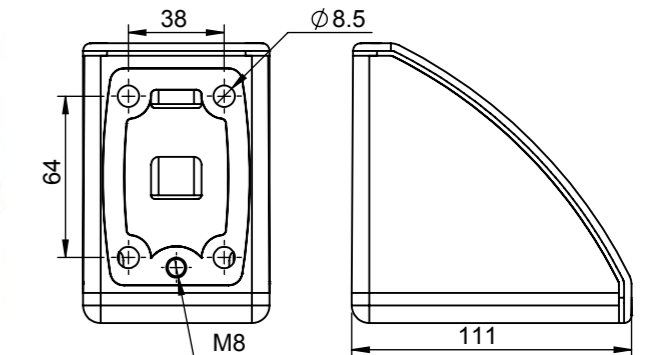
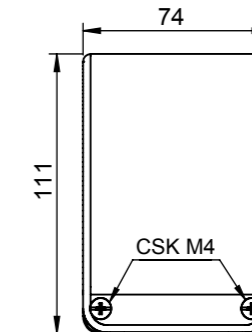
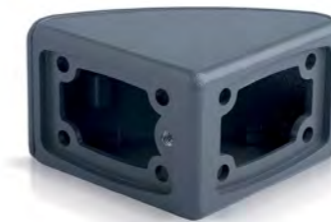
Product Code	Material	Finish	Rotation Angle	Description
<b>DCFR-6080</b>	Zinc	Gray PC	310°	Flange Mount Revolving Unit
Standard : D.A. Grey Structure				
Available : Siemens Grey Texture on Minimum Order				

# Support Arm System

## Support Arm



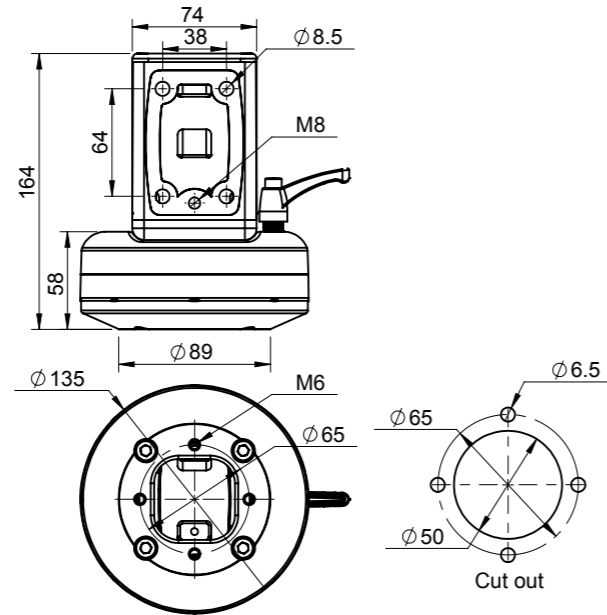
Product Code	Material	Rotation Angle	Finish	Description
<b>DCFRE-6080</b>	Zinc	310°	Gray PC	Flange Mount Revolving Elbow
<b>DCFRE-AB-6080</b>	Zinc	310°	Gray PC	Flange Mount Revolving Elbow with Bracket



Product Code	Body Material	Body Finish	Description
<b>DCE-6080</b>	Zinc	Gray PC	Elbow
Standard : D.A. Grey Structure			
Available : Siemens Grey Texture on Minimum Order			

# Support Arm System

## Support Arm



Product Code	Material	Rotation Angle	Finish	Description
<b>DCRE-SA-6080</b>	Zinc	310°	Gray PC	Revolving Elbow Unit with Adaptor
<b>DCRE-AB-SA-6080</b>	Zinc	310°	Gray PC	Revolving Elbow Unit with Bracket & Adaptor



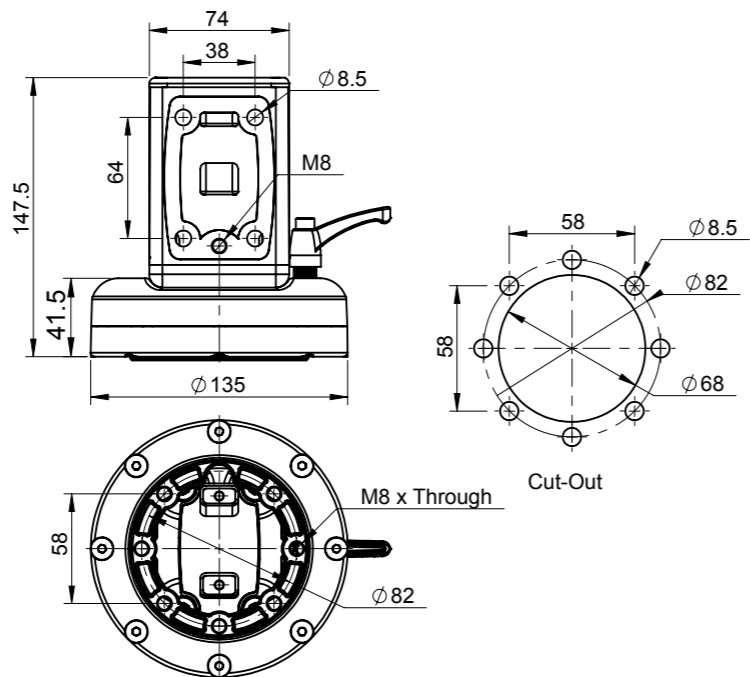
DCRE-6080



DCREH-6080

Application View Only

Cutout for Pipe  $\phi 18.5$  &  $25.5$



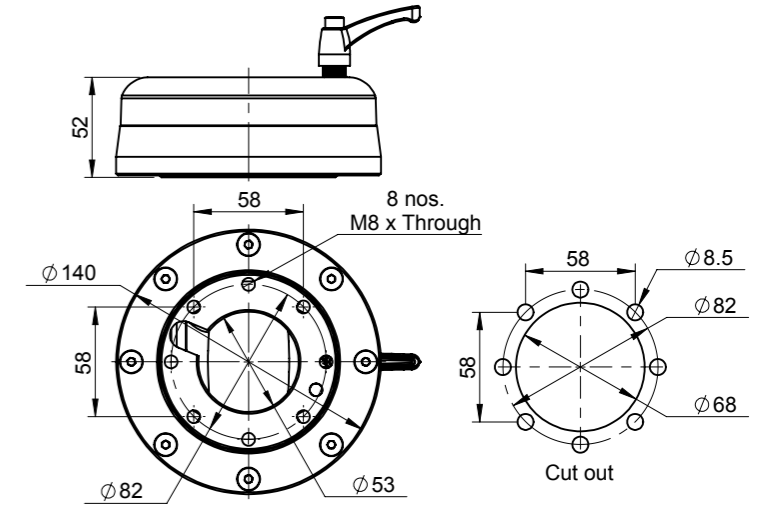
Product Code	Material	Rotation Angle	Finish	Description
<b>DCRE-6080</b>	Zinc	310°	Gray PC	Revolving Elbow Unit
<b>DCRE-AB-6080</b>	Zinc	310°	Gray PC	Revolving Elbow Unit with Bracket
<b>DCREH-6080</b>	Zinc	310°	Gray PC	Revolving Elbow Unit with Lamp Holder
<b>DCREH-SA-6080</b>	Zinc	310°	Gray PC	Revolving Elbow Unit with lamp Holder & Adaptor

DCRE-6080 Standard : D.A. Grey Structure

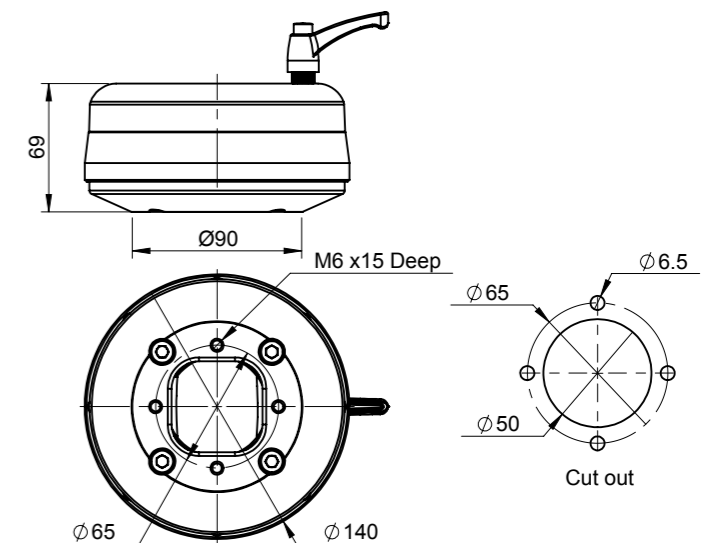
DCRE-6080 Available : Siemens Grey Texture on Minimum Order

# Support Arm System

## Support Arm



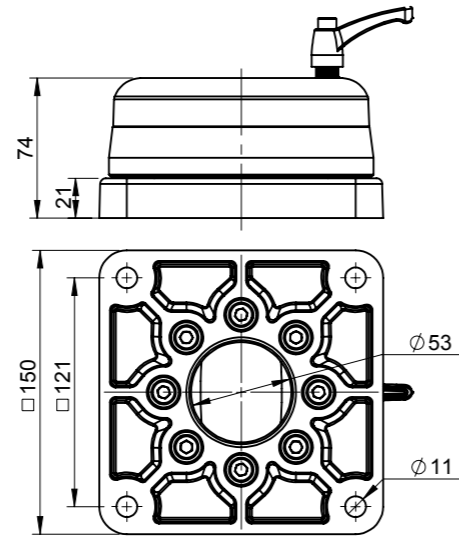
Product Code	Material	Rotation Angle	Finish	Description
<b>DCRM-6080</b>	Zinc + MS	310°	Gray PC	Revolving Unit



Product Code	Material	Rotation Angle	Finish	Description
<b>DCRM-SA-6080</b>	Zinc + MS	310°	Gray PC	Revolving Unit with Adaptor

# Support Arm System

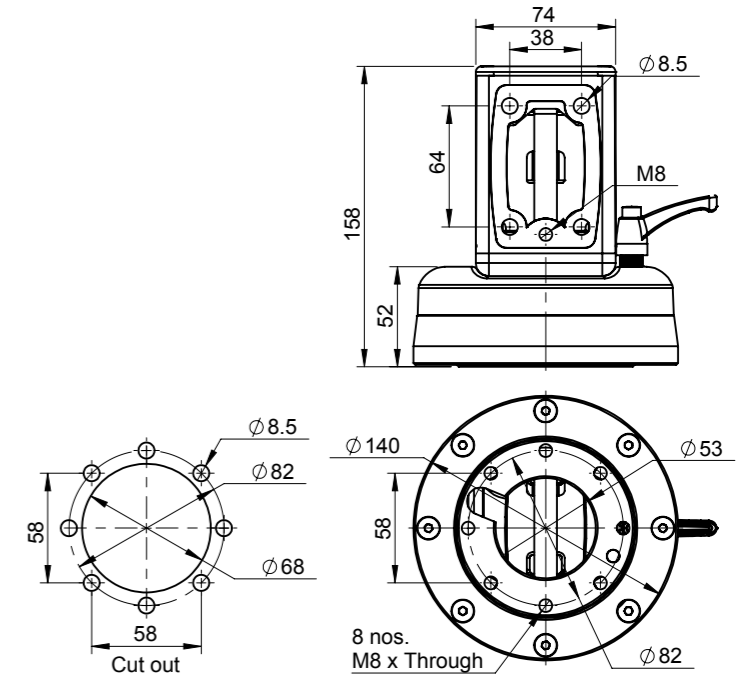
## Support Arm



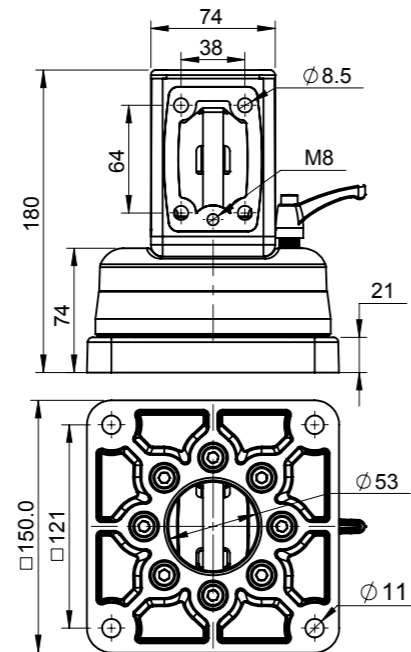
Product Code	Material	Rotation Angle	Finish	Description
<b>DCRMF2-6080</b>	Zinc + MS	310°	Gray PC	Flange Mount Revolving Unit

# Support Arm System

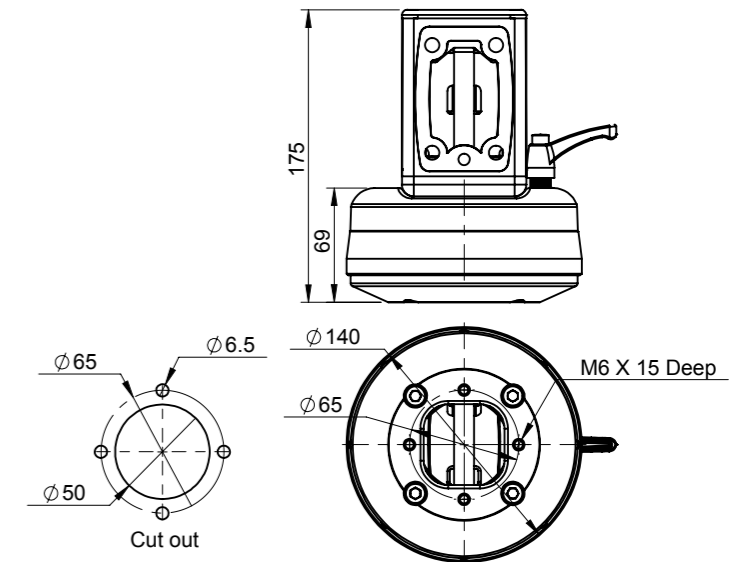
## Support Arm



Product Code	Material	Rotation Angle	Finish	Description
<b>DCREM-AB-6080</b>	Zinc + MS	310°	Gray PC	Revolving Elbow Unit with Bracket
<b>DCREM-6080</b>	Zinc + MS	310°	Gray PC	Revolving Elbow Unit



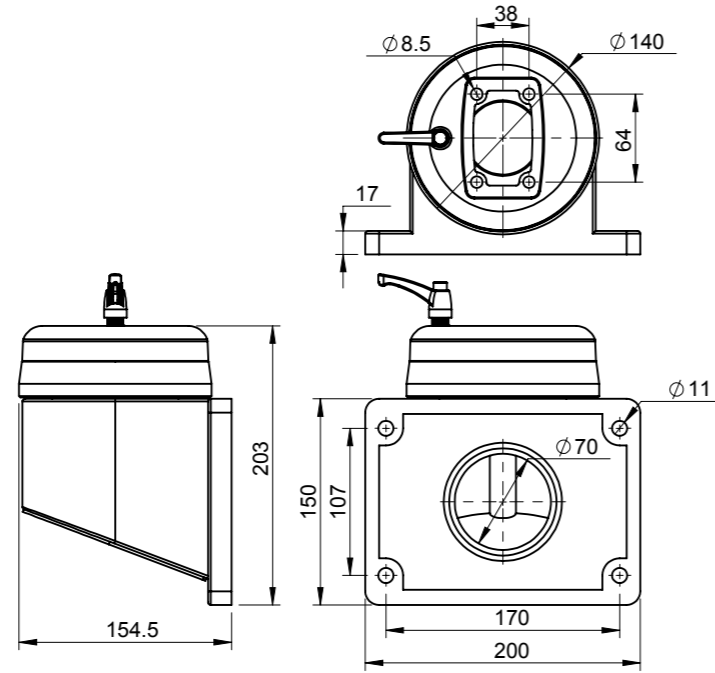
Product Code	Material	Rotation Angle	Finish	Description
<b>DCREM2-AB-6080</b>	Zinc + MS	310°	Gray PC	Flange Mount Revolving Elbow with Bracket
<b>DCREM2-6080</b>	Zinc + MS	310°	Gray PC	Flange Mount Revolving Elbow



Product Code	Material	Rotation Angle	Finish	Description
<b>DCREM-AB-SA-6080</b>	Zinc + MS	310°	Gray PC	Revolving Elbow Unit with Bracket & Adaptor
<b>DCREM-SA-6080</b>	Zinc + MS	310°	Gray PC	Revolving Elbow Unit with Adaptor

# Support Arm System

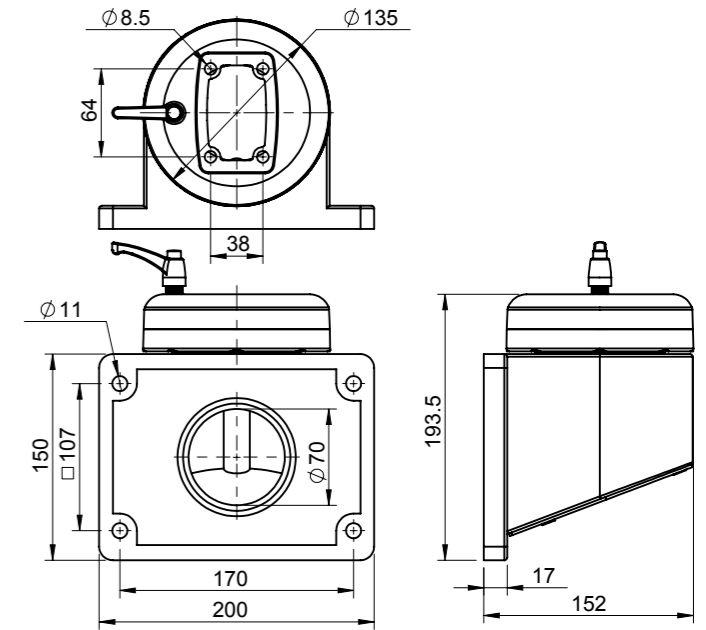
## Support Arm



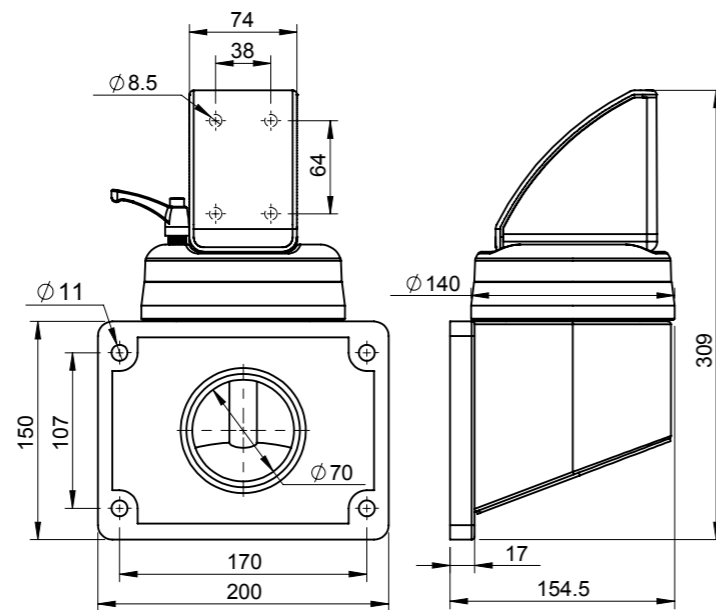
Product Code	Material	Rotation Angle	Finish	Description
<b>DCWRM-6080</b>	Zinc + MS	310°	Gray PC	Wall Mount Revolving Unit

# Support Arm System

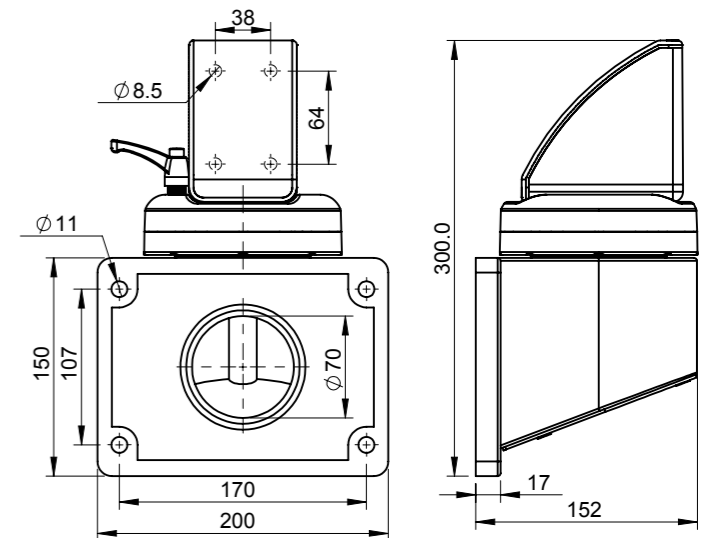
## Support Arm



Product Code	Material	Rotation Angle	Finish	Description
<b>DCWR-6080</b>	Zinc	310°	Gray PC	Wall Mount Revolving Unit



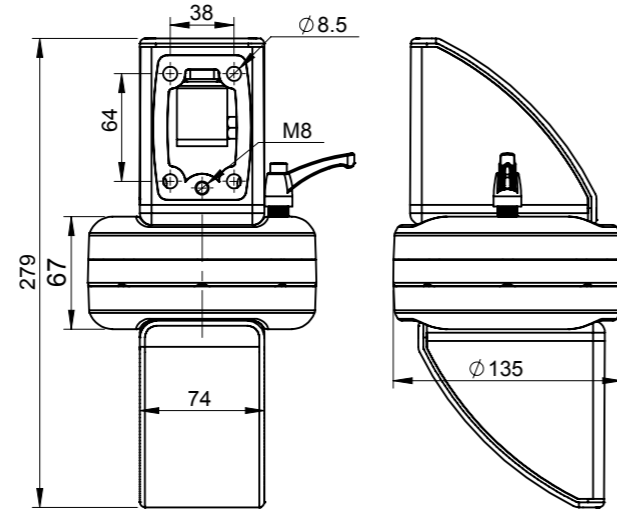
Product Code	Material	Rotation Angle	Finish	Description
<b>DCWREM-6080</b>	Zinc + MS	310°	Gray PC	Wall Mount Revolving Elbow Unit
<b>DCWREM-AB-6080</b>	Zinc + MS	310°	Gray PC	Wall Mount Revolving Elbow Unit with Bracket



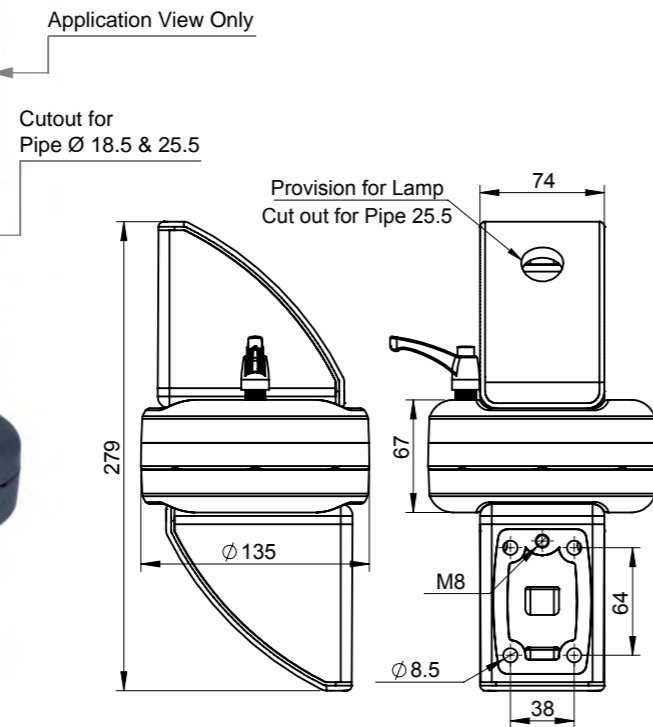
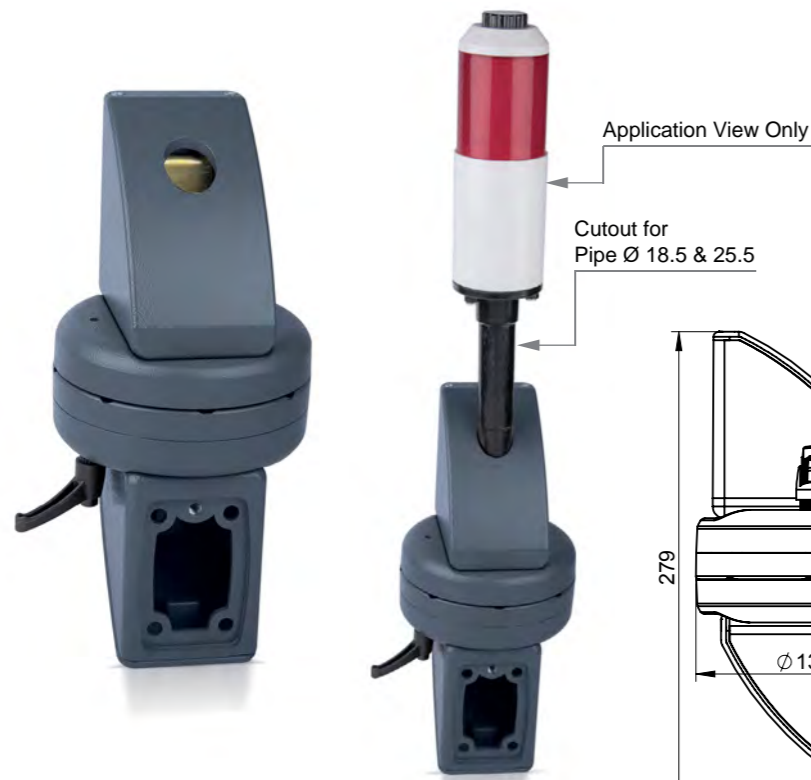
Product Code	Material	Rotation Angle	Finish	Description
<b>DCWRE-6080</b>	Zinc	310°	Gray PC	Wall Mount Revolving Elbow Unit
<b>DCWRE-AB-6080</b>	Zinc	310°	Gray PC	Wall Mount Revolving Elbow Unit with Bracket

# Support Arm System

## Support Arm



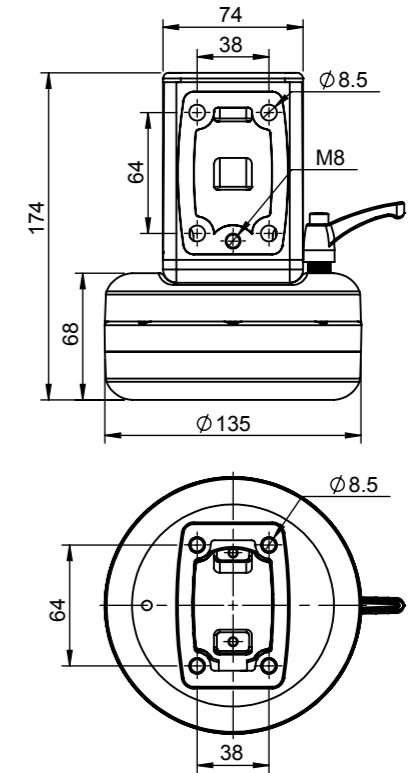
Product Code	Material	Rotation Angle	Finish	Description
<b>DCPRE-6080</b>	Zinc	360°	Gray PC	Pivot Mount



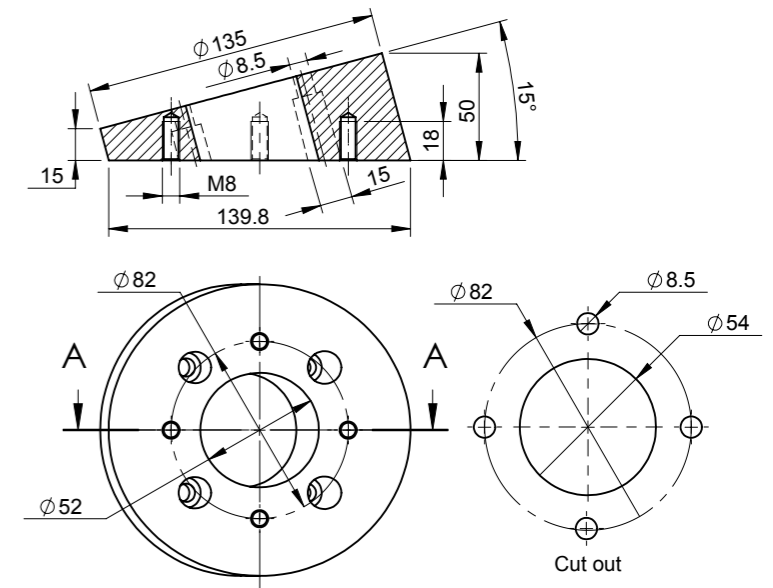
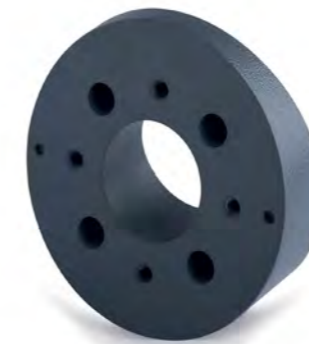
Product Code	Material	Rotation Angle	Finish	Description
<b>DCPREH-6080</b>	Zinc	360°	Gray PC	Pivot Mount with Lamp Holder

# Support Arm System

## Support Arm



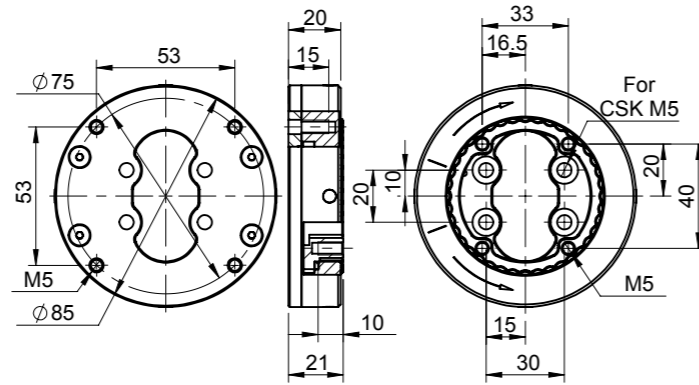
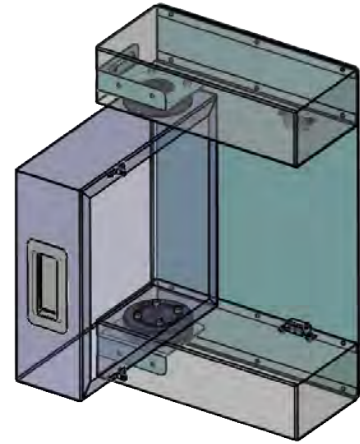
Product Code	Material	Finish	Rotation Angle	Description
<b>DPCE-6080</b>	Zinc	Gray PC	310°	Elbow Pivot Mount



Product Code	Body Material	Body Finish	Description
<b>DCRA-15-6080</b>	Zinc	Gray PC	Adaptor

# Support Arm System

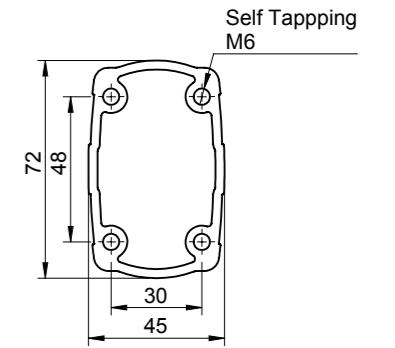
## Support Arm



Product Code	Body Material	Body Finish	Rotation Angle	Description
<b>DCR-84</b>	Zinc	Black PC	310°	Pivot Mount

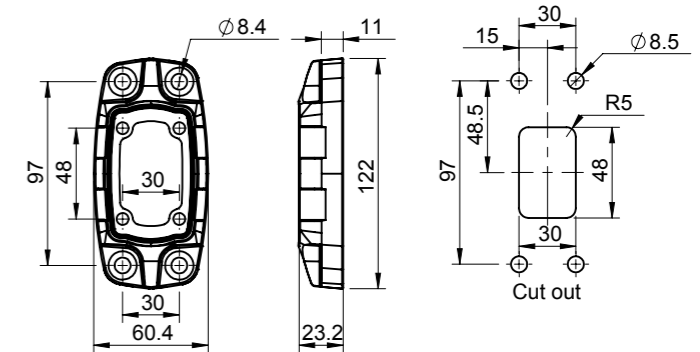
# Support Arm System

## Support Arm



Product Code	Material	Finish	Length (mm)	Description
<b>DCA-4572</b>	Aluminium	RAL-7035	250 / 500 / 1000 / 1500	Aluminium Extrusion

Use Torx Key set.

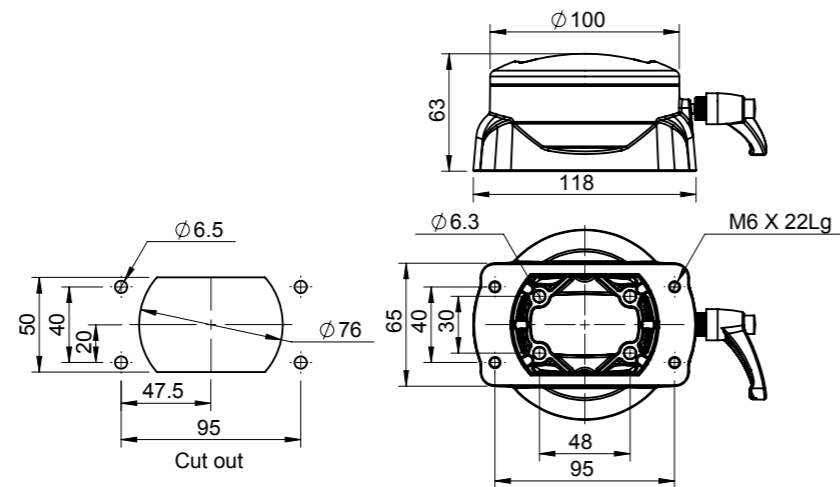


Product Code	Material	Finish	Description
<b>DCF-4572</b>	Aluminium	RAL-7035	Fixed Mount

Use Torx Key set.

## Support Arm System

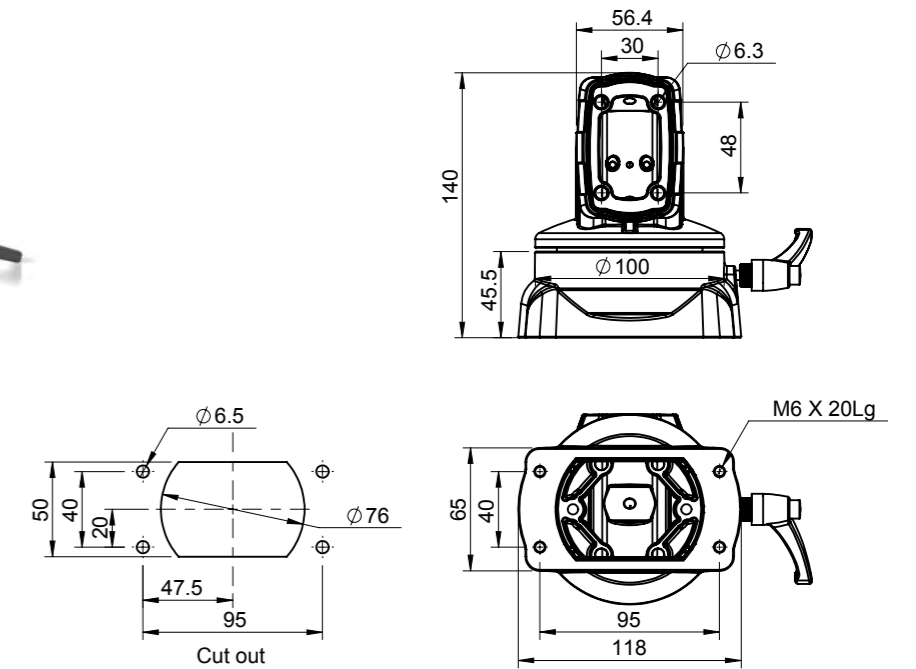
## Support Arm



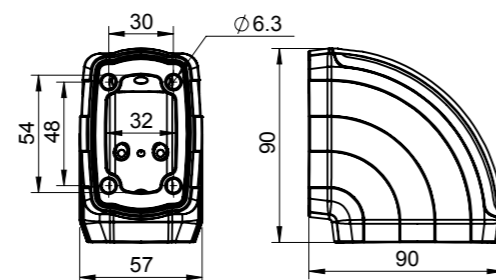
Product Code	Material	Finish	Rotation Angle	Description
<b>DCFR-AV-4572</b>	Aluminium	RAL-7035	350°	Revolving Unit with Adaptor
Use Torx Key set.				

## Support Arm System

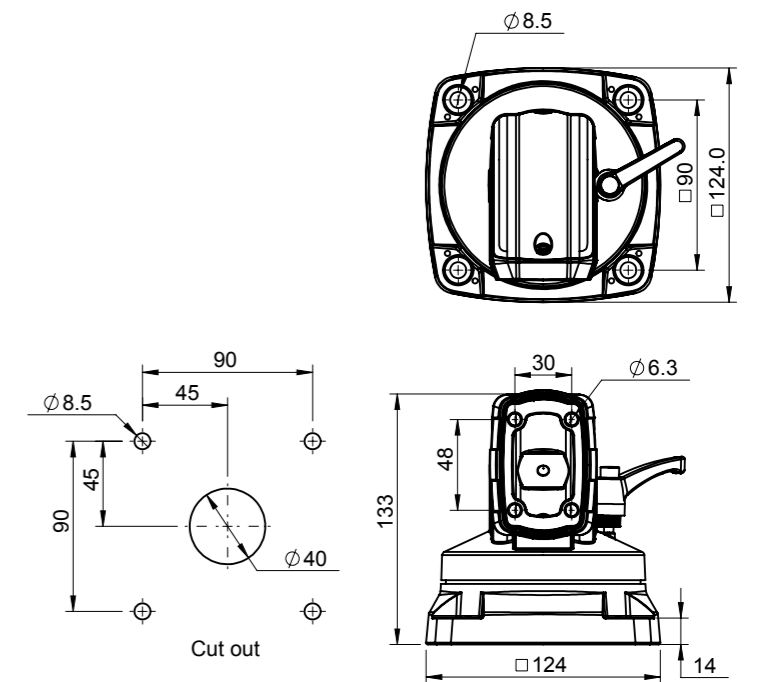
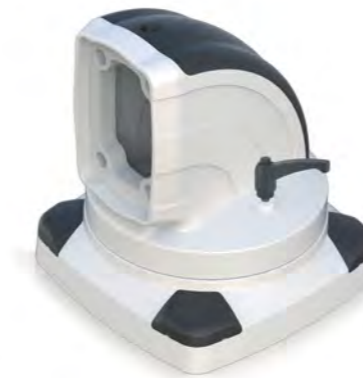
## Support Arm



Product Code	Material	Finish	Rotation Angle	Description
<b>DCRE-AV-4572</b>	Aluminium	RAL-7035 / 7016	310°	Revolving Elbow with Adaptor
Use Torx Key set.				



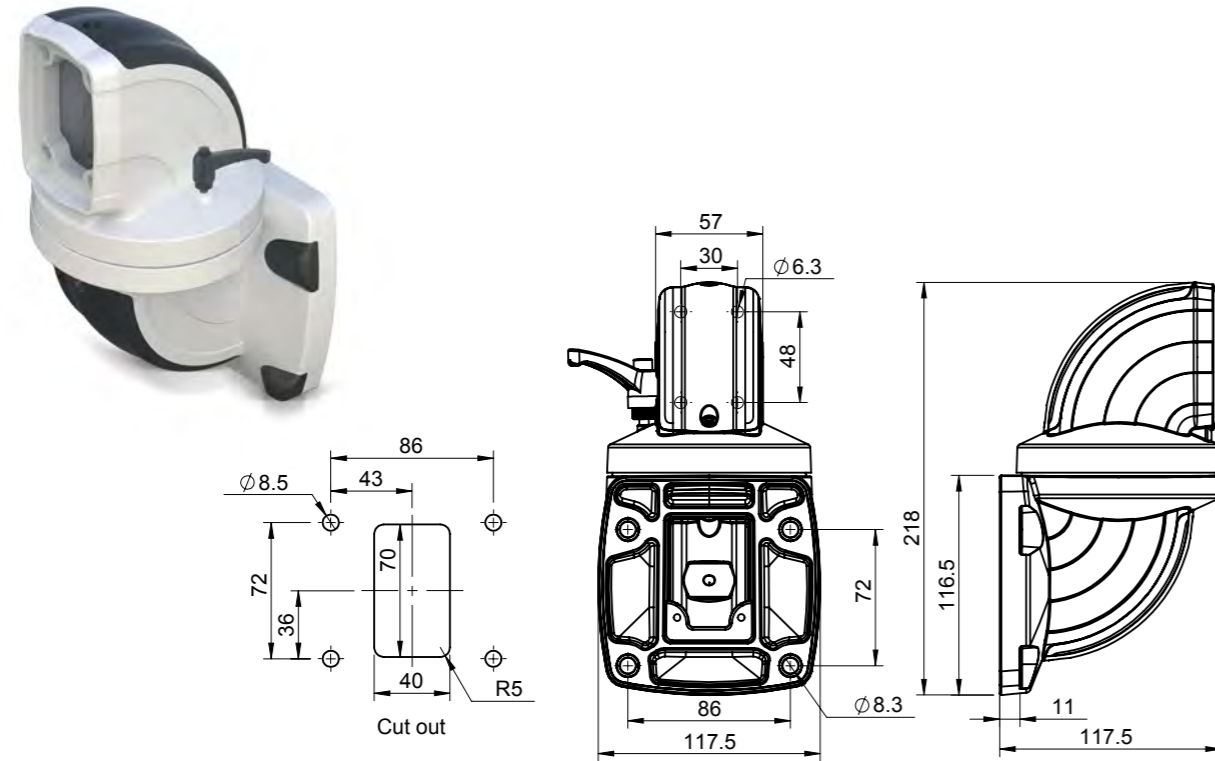
Product Code	Material	Finish	Description
<b>DCE-4572</b>	Aluminium	RAL-7035 / 7016	Elbow
Use Torx Key set.			



Product Code	Material	Finish	Rotation Angle	Description
<b>DCFRE-4572</b>	Aluminium	RAL-7035 / 7016	310°	Flange Mount Revolving
Use Torx Key set.				

# Support Arm System

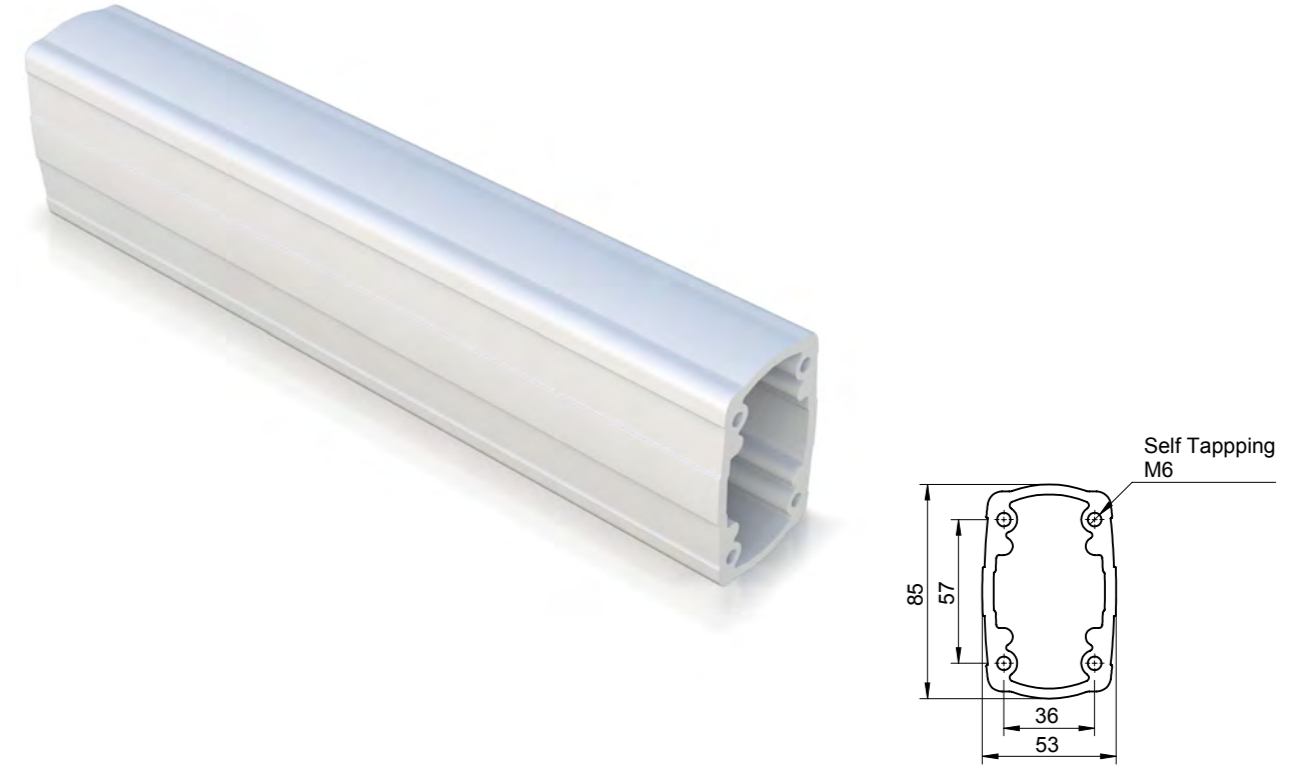
## Support Arm



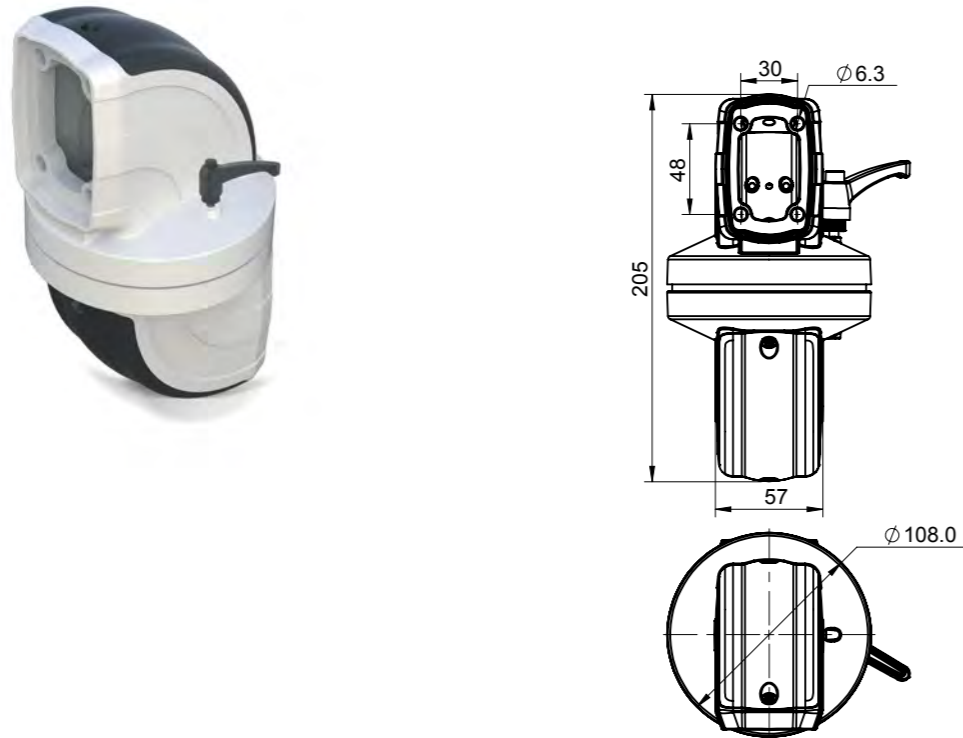
Product Code	Material	Finish	Rotation Angle	Description
<b>DCWRE-4572</b>	Aluminium	RAL-7035 / 7016	310°	Wall Mount Revolving Elbow
Use Torx Key set.				

# Support Arm System

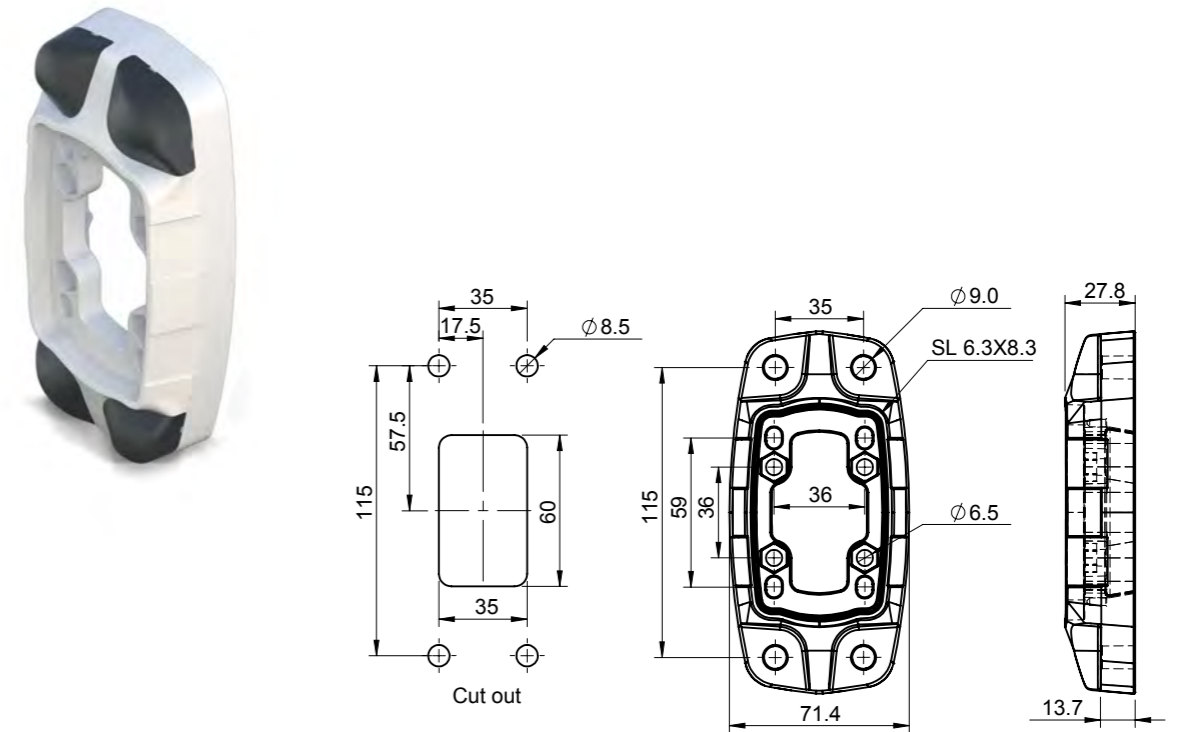
## Support Arm



Product Code	Material	Finish	Length (mm)	Description
<b>DCA-5385</b>	Aluminium	RAL-7035	250 / 500 / 1000 / 1500	Aluminium Extrusion
Use Torx Key set.				



Product Code	Material	Finish	Rotation Angle	Description
<b>DCPRE-4572</b>	Aluminium	RAL-7035 / 7016	310°	Pivot Mount
Use Torx Key set.				

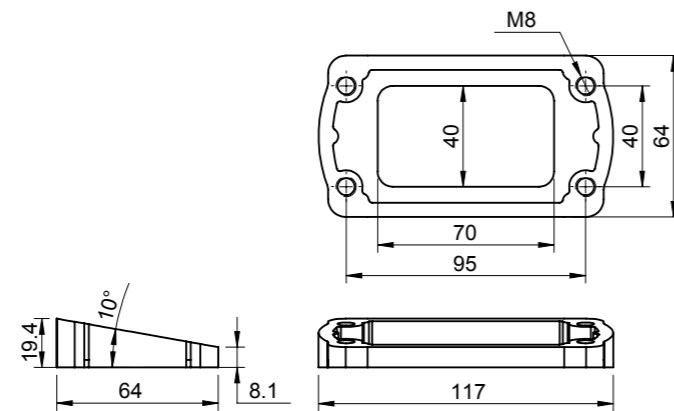


Product Code	Material	Finish	Description
<b>DCF-5385</b>	Aluminium	RAL-7035	Fixed Mount
Use Torx Key set.			

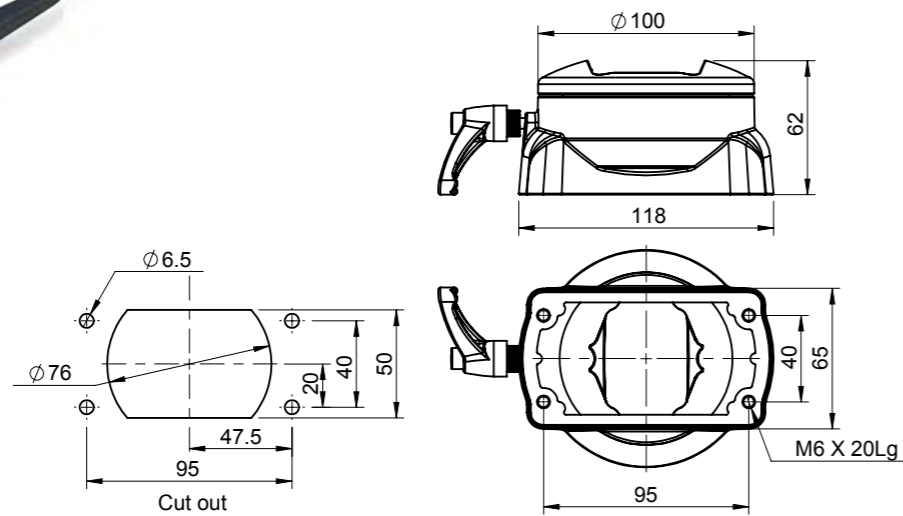
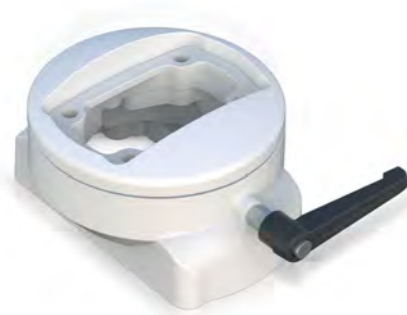


## Support Arm System

## Support Arm



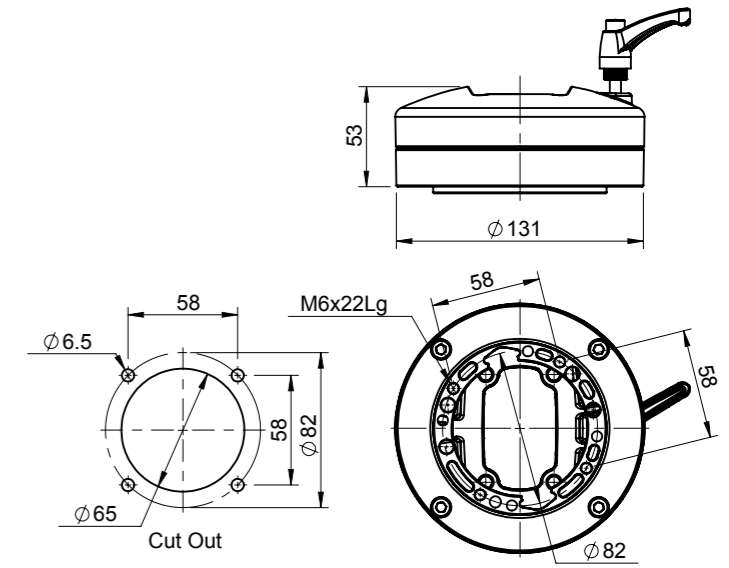
Product Code	Material	Finish	Description
<b>DCRA-5385</b>	Aluminium	RAL-7035	Adaptor
Use Torx Key set.			



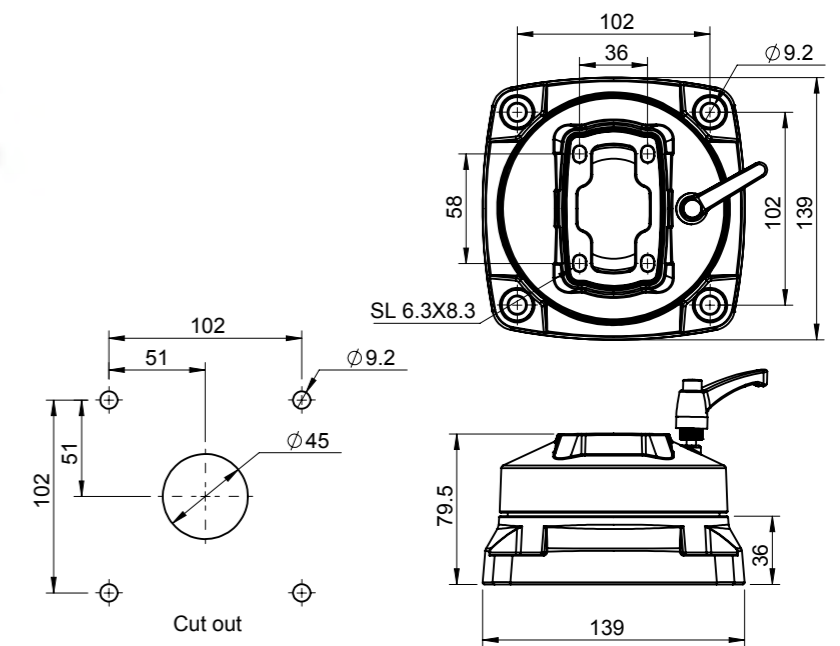
Product Code	Material	Finish	Rotation Angle	Description
<b>DCR-AV-5385</b>	Aluminium	RAL-7035	350°	Revolving Unit with Adaptor
Use Torx Key set.				

## Support Arm System

## Support Arm



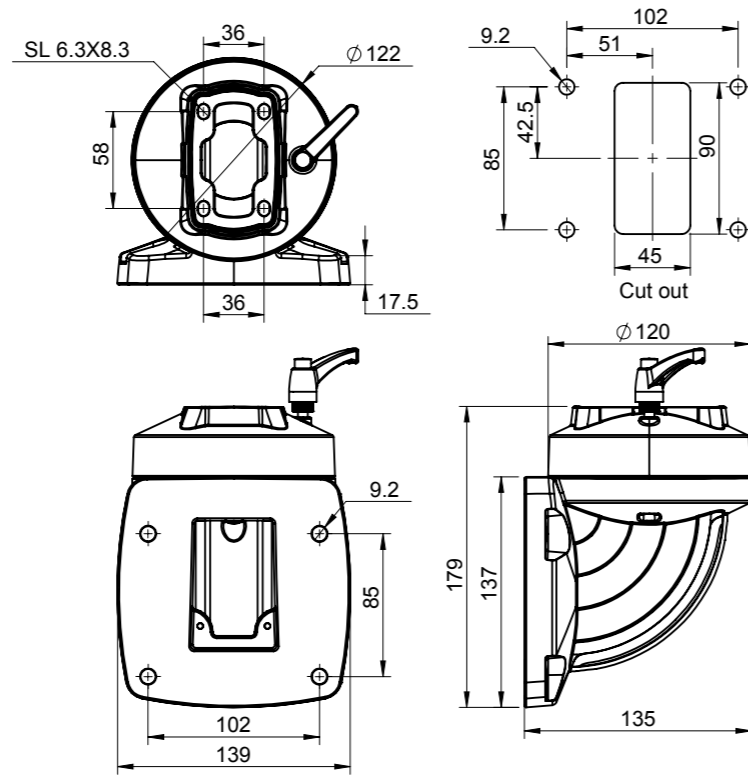
Product Code	Material	Finish	Rotation Angle	Description
<b>DCR-5385</b>	Aluminium	RAL-7035	310°	Revolving Unit
Use Torx Key set.				



Product Code	Material	Finish	Rotation Angle	Description
<b>DCFR-5385</b>	Aluminium	RAL-7035	310°	Flange Mount Revolving Unit
Use Torx Key set.				

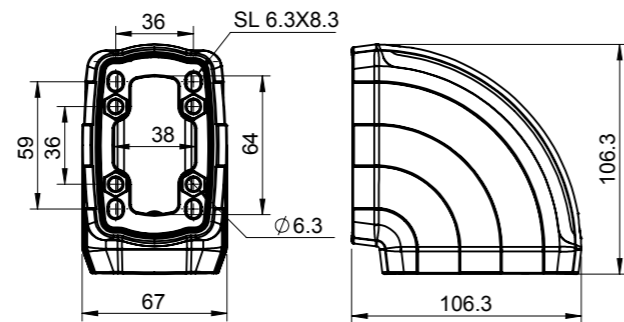
# Support Arm System

## Support Arm



Product Code	Material	Finish	Rotation Angle	Description
<b>DCWR-5385</b>	Aluminium	RAL-7035 / 7016	310°	Wall Mount Revolving Unit

Use Torx Key set.

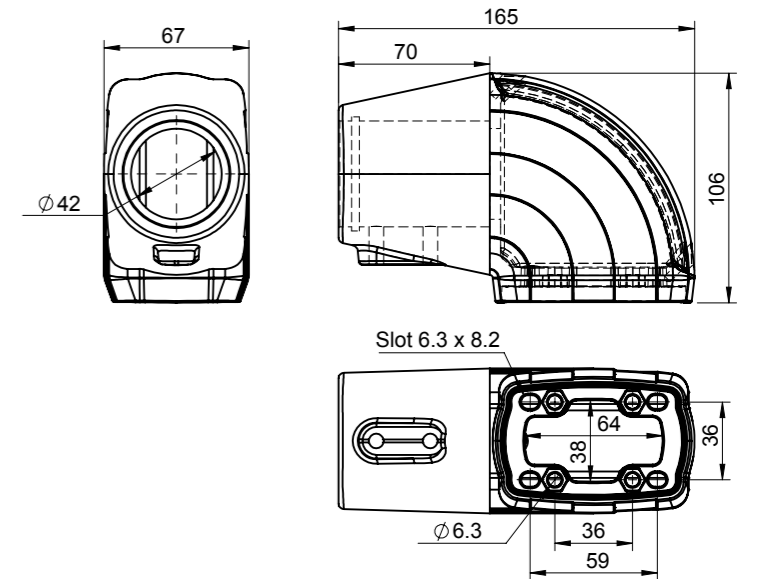


Product Code	Material	Finish	Description
<b>DCE-5385</b>	Aluminium	RAL-7035 / 7016	Elbow

Use Torx Key set.

# Support Arm System

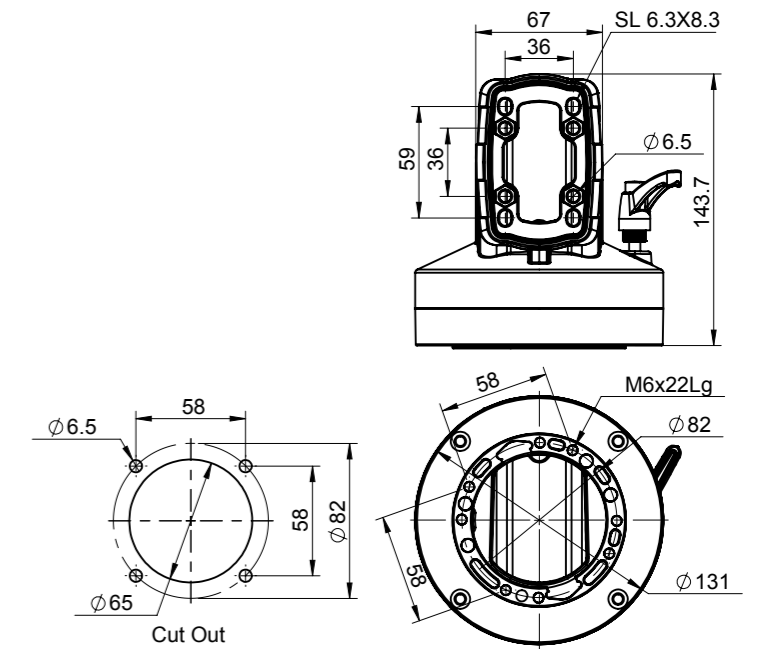
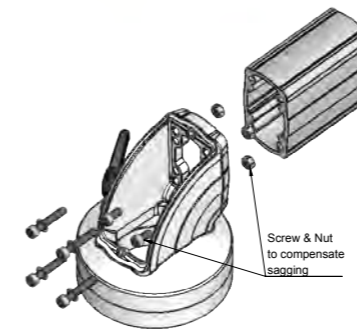
## Support Arm



2020

Product Code	Material	Finish	Description
<b>DCEPJ-4572-48</b>	Aluminium	RAL-7035 / 7016	Elbow

Use Torx Key set.

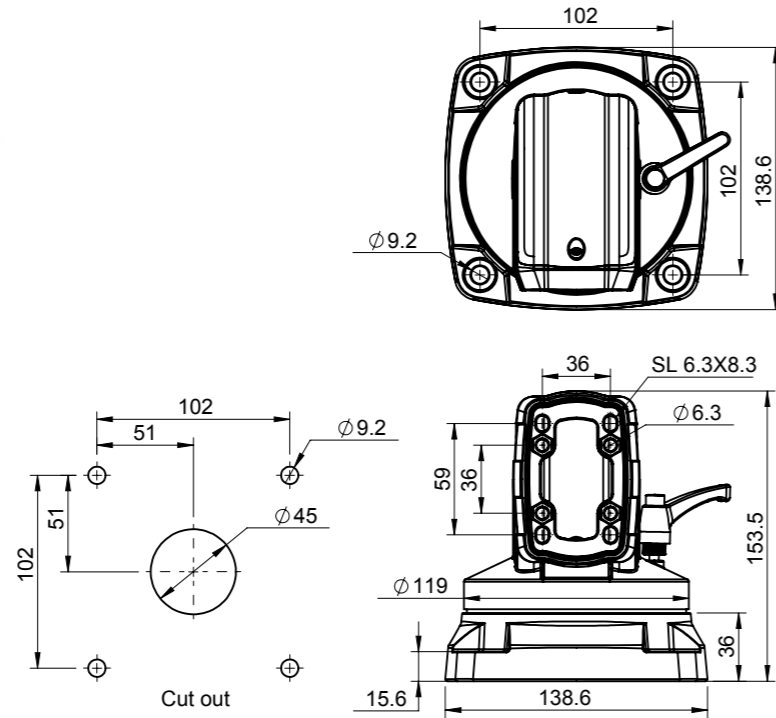
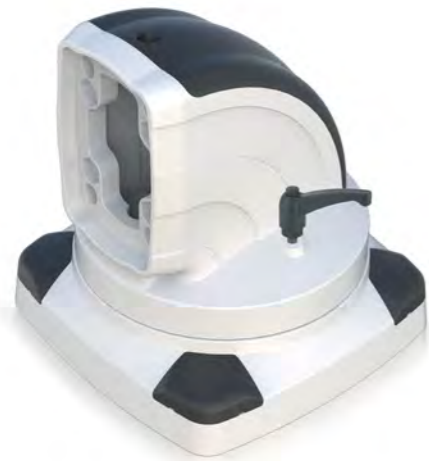


Product Code	Material	Finish	Rotation Angle	Description
<b>DCRE-5385</b>	Aluminium	RAL-7035 / 7016	310°	Revolving Elbow

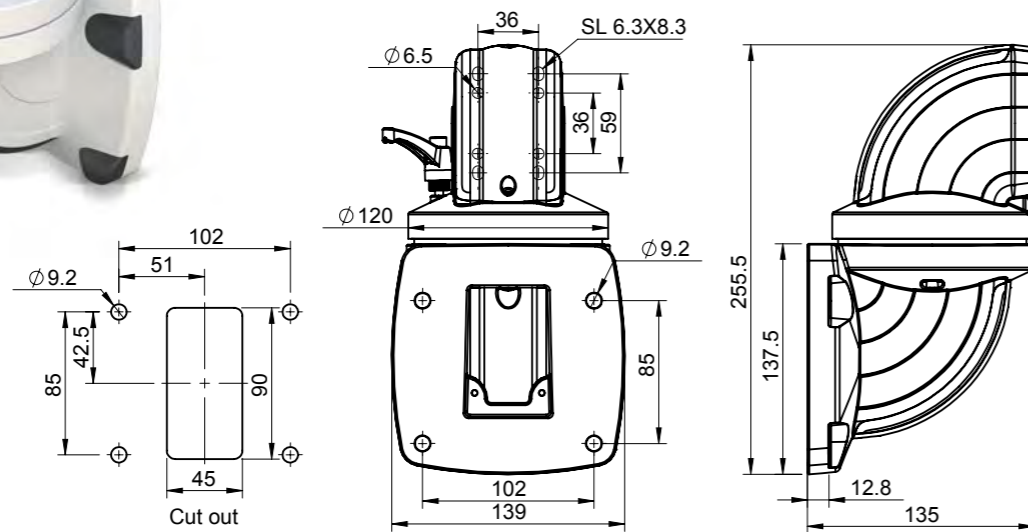
Use Torx Key set.

# Support Arm System

## Support Arm



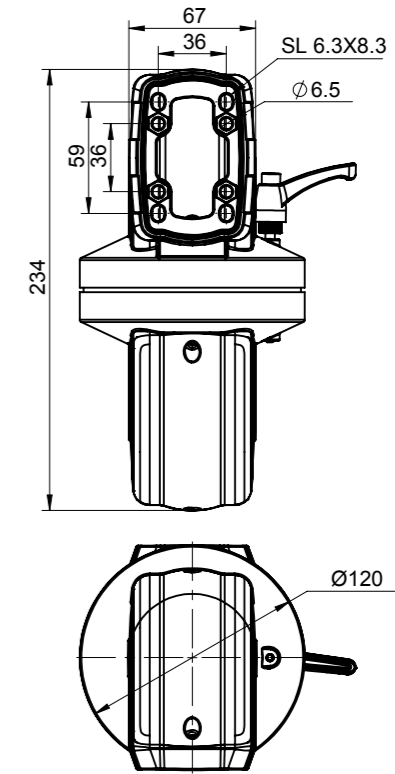
Product Code	Material	Finish	Rotation Angle	Description
<b>DCFRE-5385</b>	Aluminium	RAL-7035 / 7016	310°	Flange Mount Revolving Elbow
Use Torx Key set.				



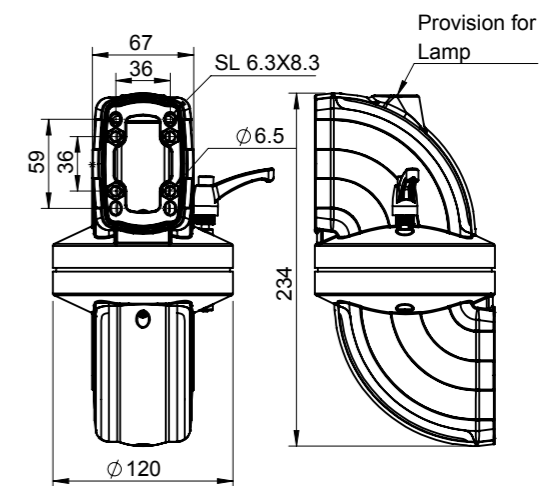
Product Code	Material	Finish	Rotation Angle	Description
<b>DCWRE-5385</b>	Aluminium	RAL-7035 / 7016	310°	Wall Mount Revolving Elbow
Use Torx Key set.				

# Support Arm System

## Support Arm



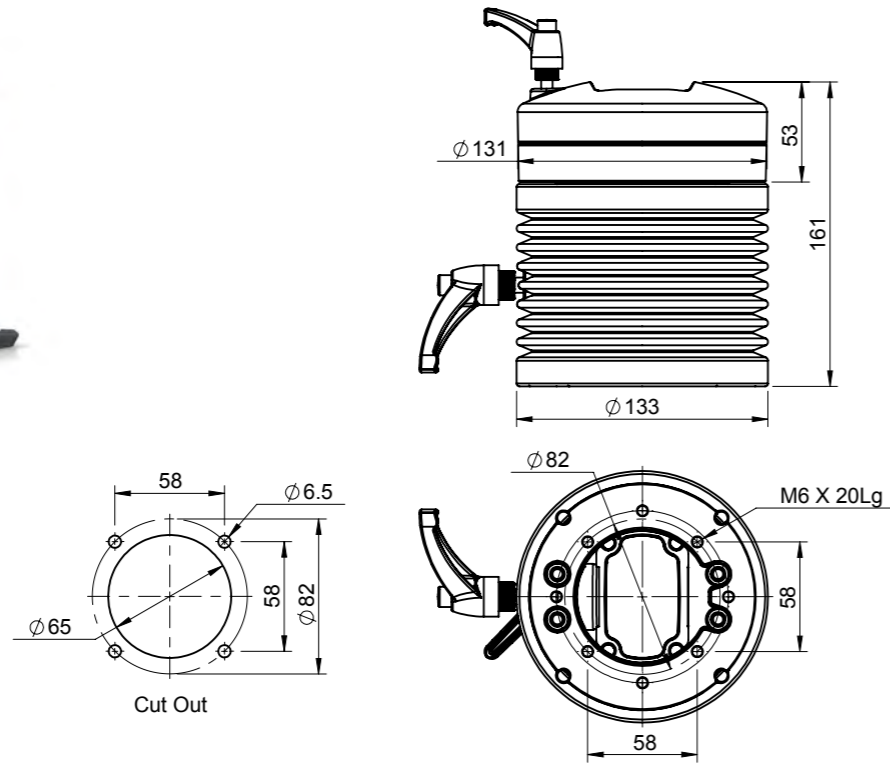
Product Code	Material	Finish	Rotation Angle	Description
<b>DCPRE-5385</b>	Aluminium	RAL-7035 / 7016	310°	Pivot Mount
Use Torx Key set.				



Product Code	Material	Finish	Rotation Angle	Lamp	Description
<b>DCPREH-5385-3</b>	Aluminium	RAL-7035 / 7016	310°	3 Floor : 3 Colour	Pivot Mount with Lamp Holder
<b>DCPREH-5385-5</b>	Aluminium	RAL-7035 / 7016	310°	1 Floor : 5 Colour	Pivot Mount with Lamp Holder
Use Torx Key set.					

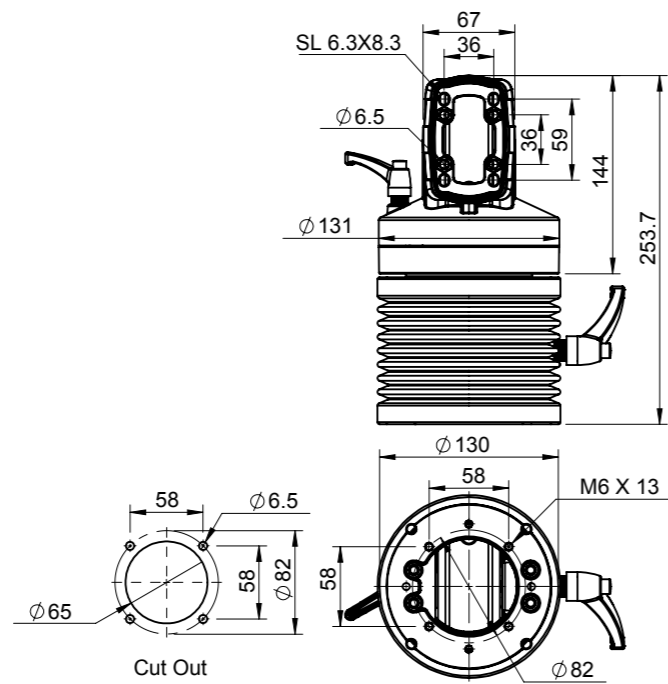
# Support Arm System

## Support Arm



Product Code	Material	Finish	Rotation / Tilting Angle	Description
<b>DCRT-5385</b>	Aluminium	RAL-7035	310° / ± 45°	Tilt & Revolving Unit

Use Torx Key set.

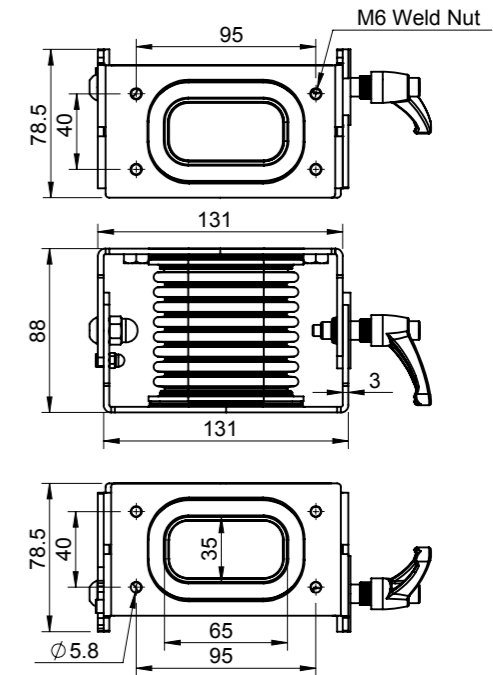


Product Code	Material	Finish	Rotation / Tilting Angle	Description
<b>DCRET-5385</b>	Aluminium	RAL-7035 / 7016	310° / ± 45°	Tilt & Revolving Elbow Unit

Use Torx Key set.

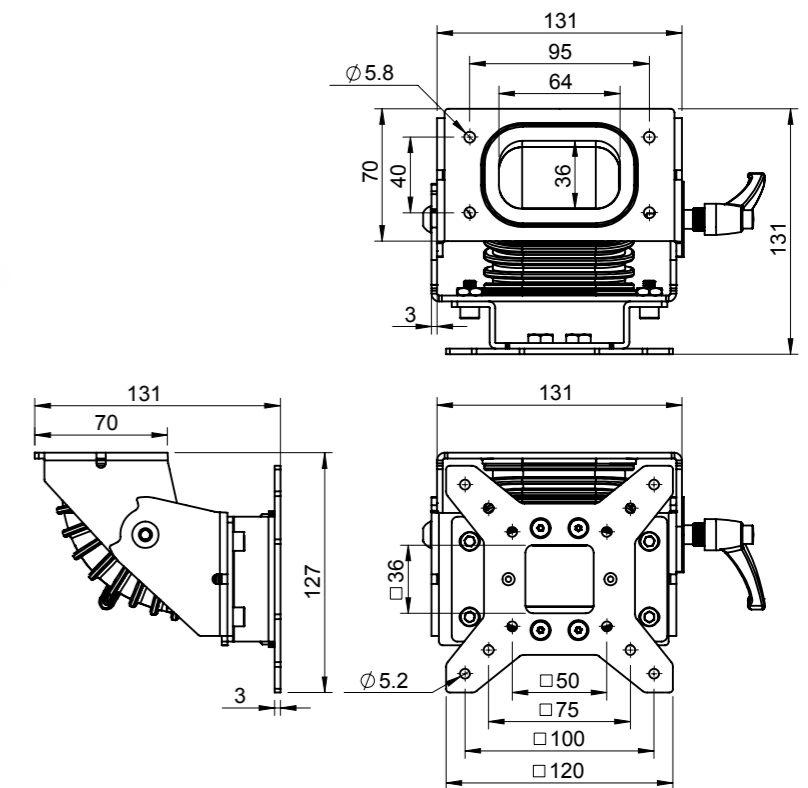
# Support Arm System

## Support Arm



Product Code	Material	Finish	Tilting Angle	Description
<b>DTA-4095</b>	Aluminium	RAL-7035	+ 30° / - 40°	Tilting Adaptor

Use Torx Key set.

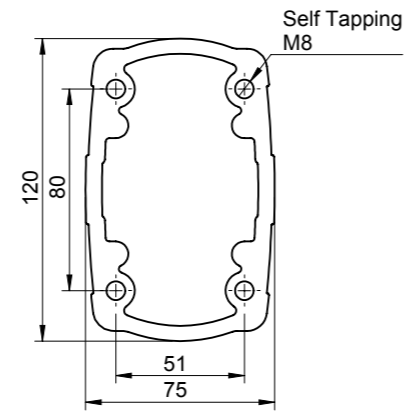


Product Code	Material	Finish	Tilting Angle	Description
<b>DTA-DC-120</b>	Aluminium	RAL-7035	+ 30° / - 40°	Tilting Adaptor

Use Torx Key set.

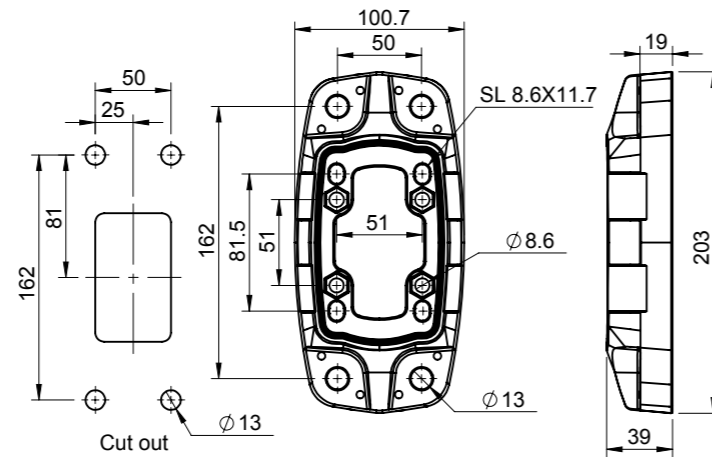
# Support Arm System

## Support Arm



Product Code	Material	Finish	Length (mm)	Description
<b>DCA-75120</b>	Aluminium	RAL-7035	250 / 500 / 1000 / 2000	Aluminium Extrusion

Use Torx Key set.

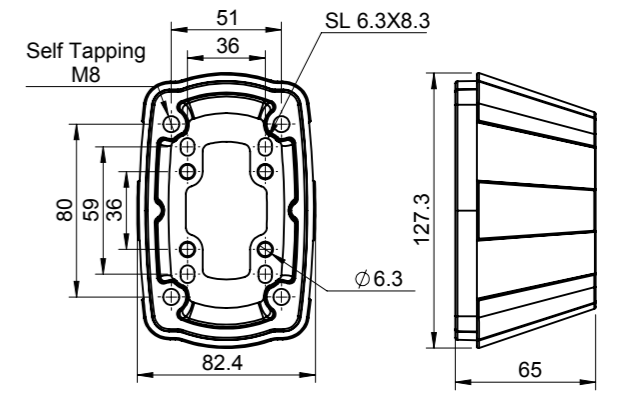
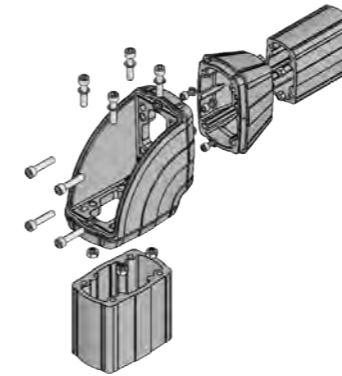


Product Code	Material	Finish	Description
<b>DCF-75120</b>	Aluminium	RAL-7035	Fixed Mount

Use Torx Key set.

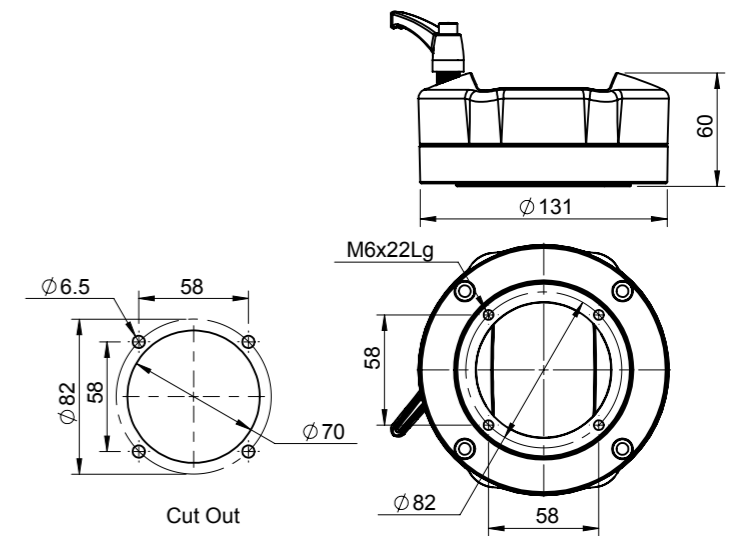
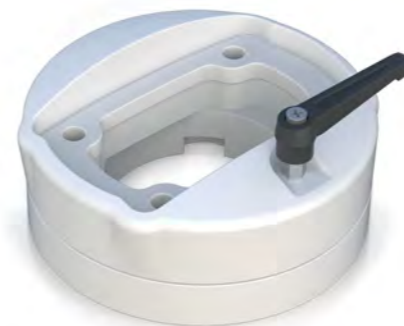
# Support Arm System

## Support Arm



Product Code	Material	Finish	Description
<b>DCRJ-75120-5385</b>	Aluminium	RAL-7035	Joiner

Use Torx Key set.

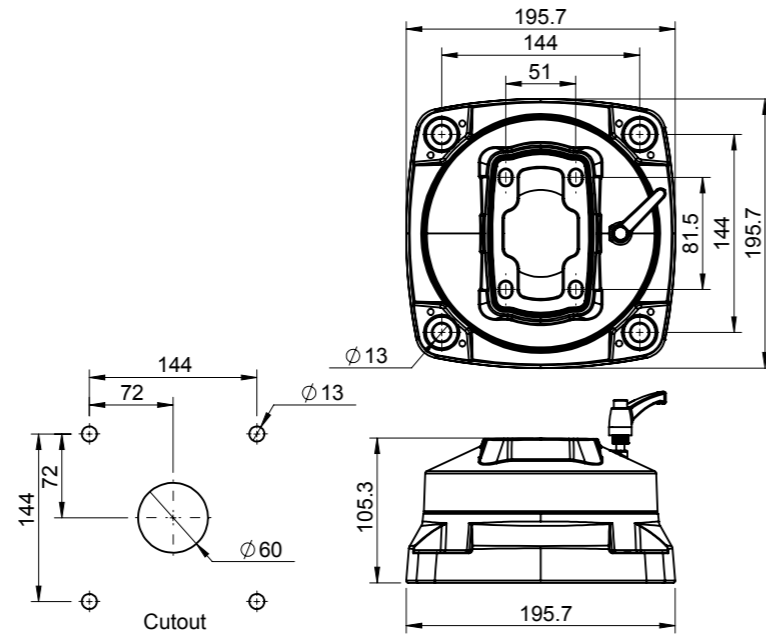


Product Code	Material	Finish	Rotation Angle	Description
<b>DCR-75120</b>	Aluminium	RAL-7035	310°	Revolving Unit

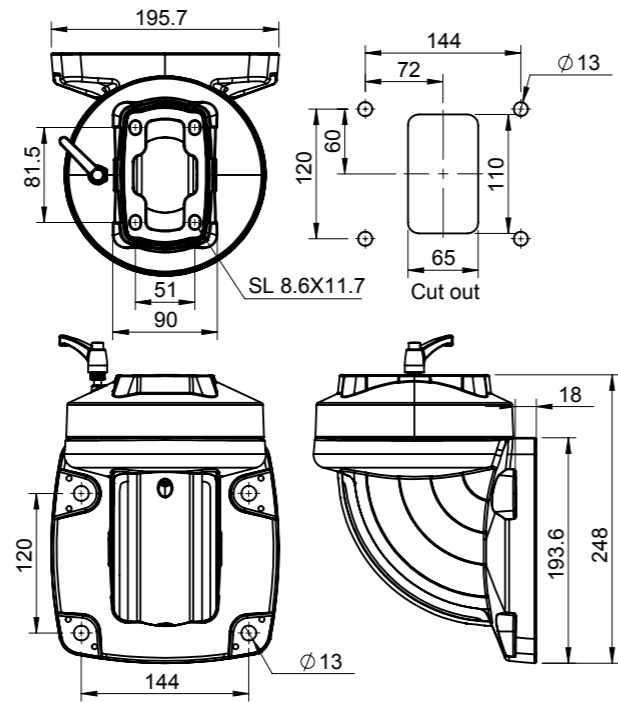
Use Torx Key set.

# Support Arm System

## Support Arm



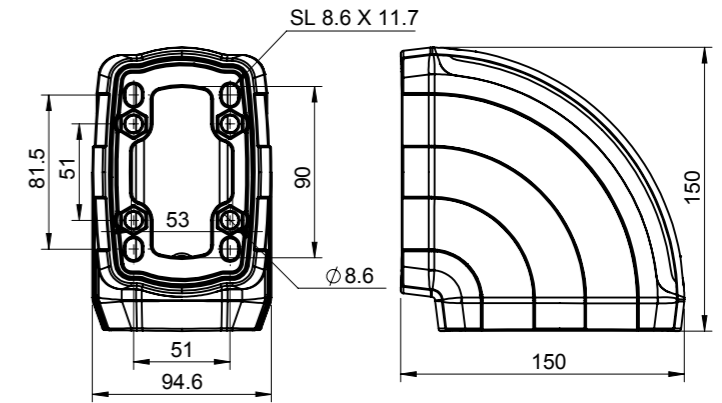
Product Code	Material	Finish	Rotation Angle	Description
<b>DCFR-75120</b>	Aluminium	RAL-7035	310°	Flange Mount Revolving Elbow
Use Torx Key set.				



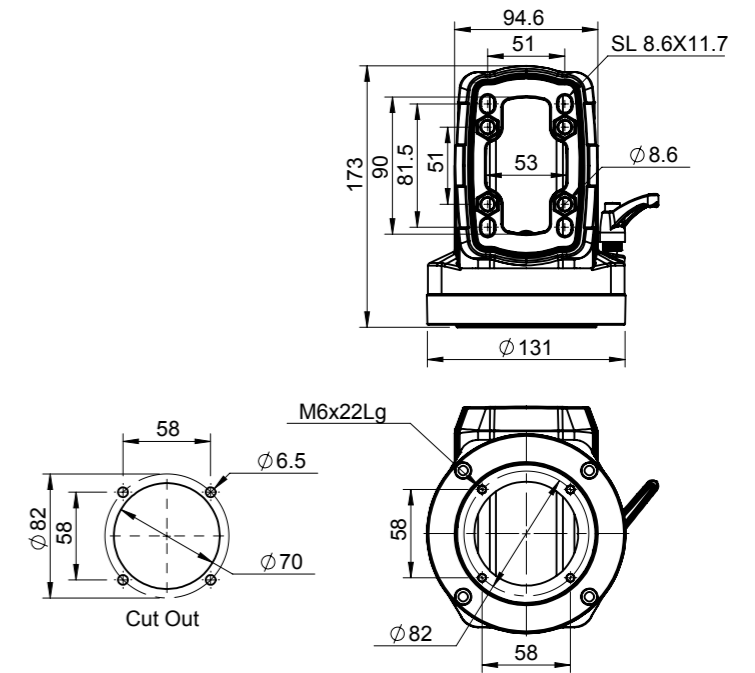
Product Code	Material	Finish	Rotation Angle	Description
<b>DCWR-75120</b>	Aluminium	RAL-7035 / 7016	310°	Wall Mount Revolving Elbow
Use Torx Key set.				

# Support Arm System

## Support Arm



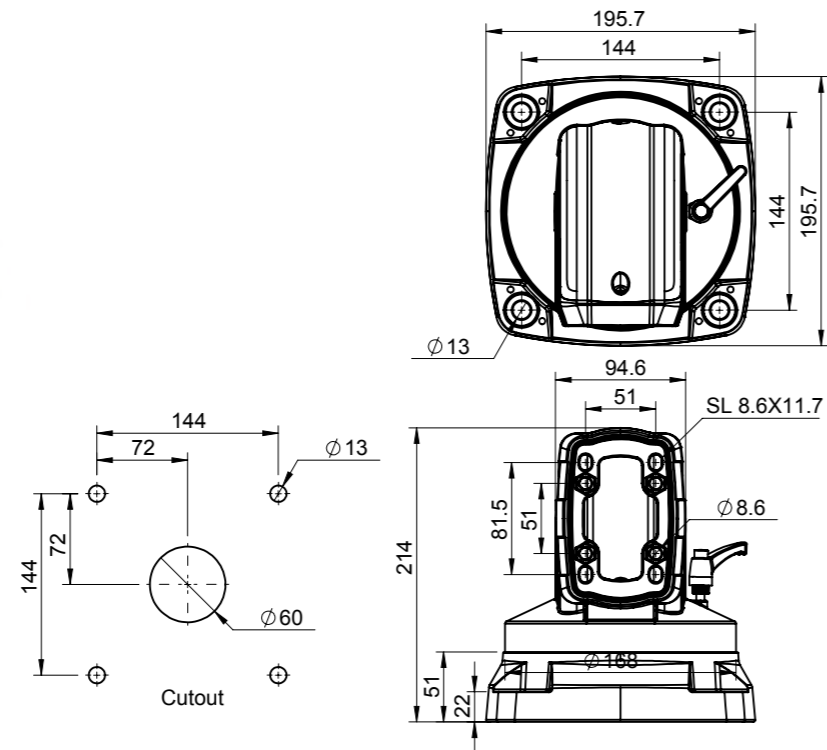
Product Code	Material	Finish	Description
<b>DCE-75120</b>	Aluminium	RAL-7035 / 7016	Elbow
Use Torx Key set.			



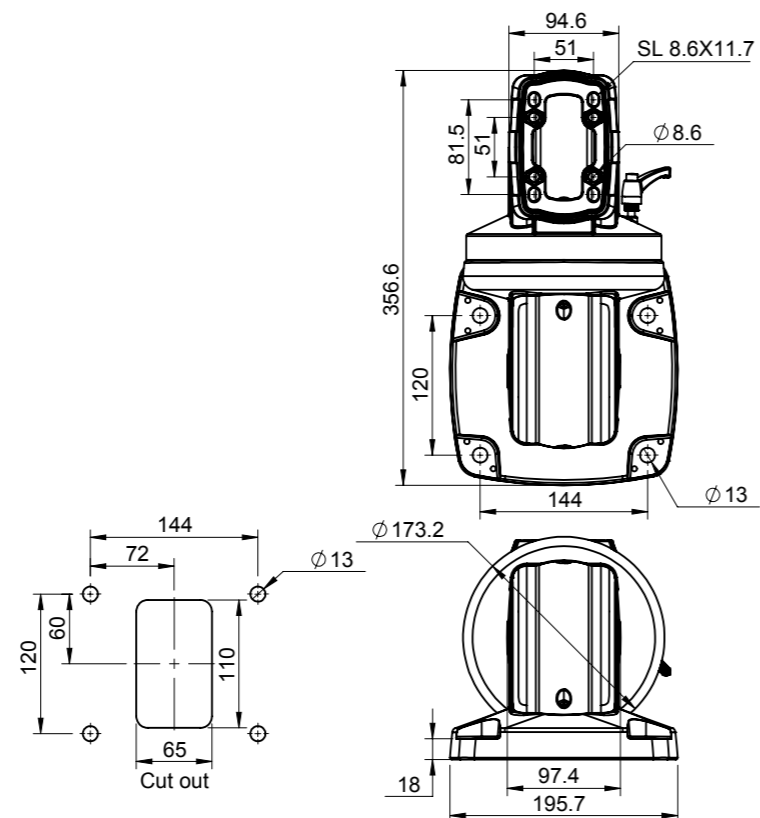
Product Code	Material	Finish	Rotation Angle	Description
<b>DCRE-75120</b>	Aluminium	RAL-7035 / 7016	310°	Revolving Elbow
Use Torx Key set.				

## Support Arm System

## Support Arm



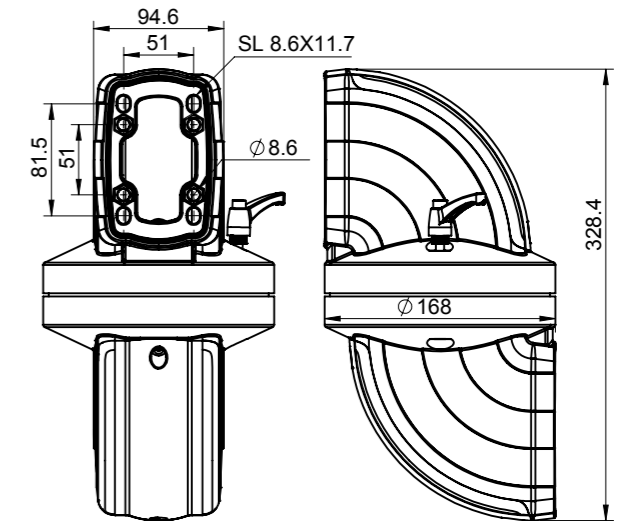
Product Code	Material	Finish	Rotation Angle	Description
<b>DCFRE-75120</b>	Aluminium	RAL-7035 / 7016	310°	Flange Mount Revolving Elbow
Use Torx Key set.				



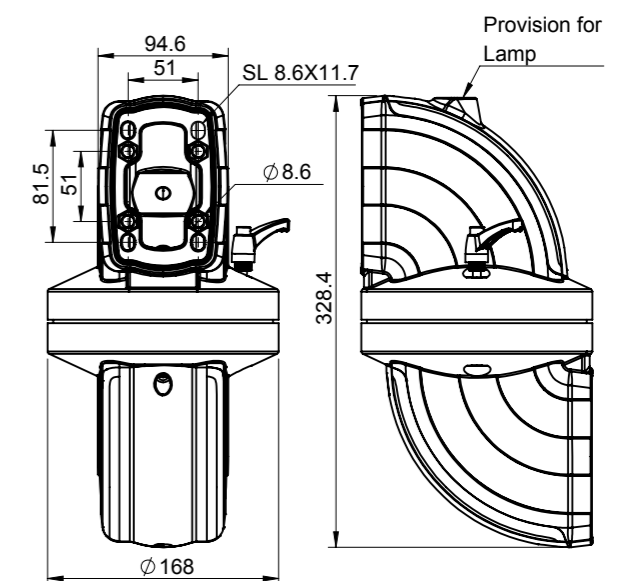
Product Code	Material	Finish	Rotation Angle	Description
<b>DCWRE-75120</b>	Aluminium	RAL-7035 / 7016	310°	Wall Mount Revolving Elbow
Use Torx Key set.				

## Support Arm System

## Support Arm



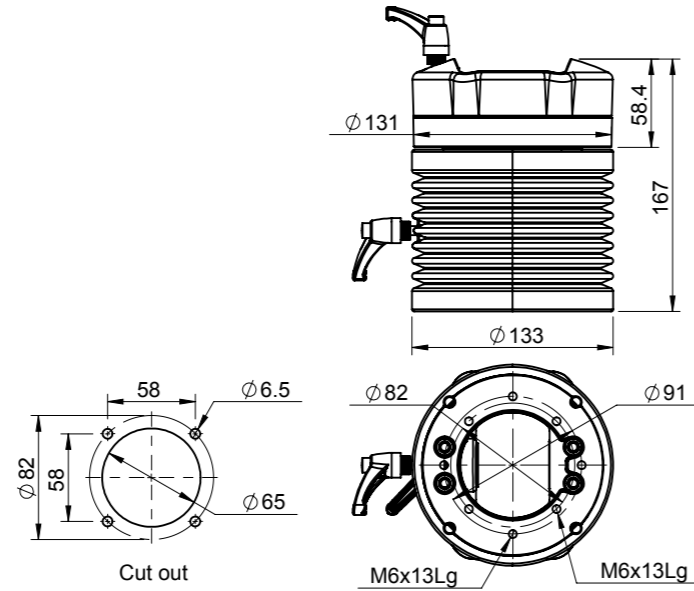
Product Code	Material	Finish	Rotation Angle	Description
<b>DCPRE-75120</b>	Aluminium	RAL-7035 / 7016	310°	Pivot Mount
Use Torx Key set.				



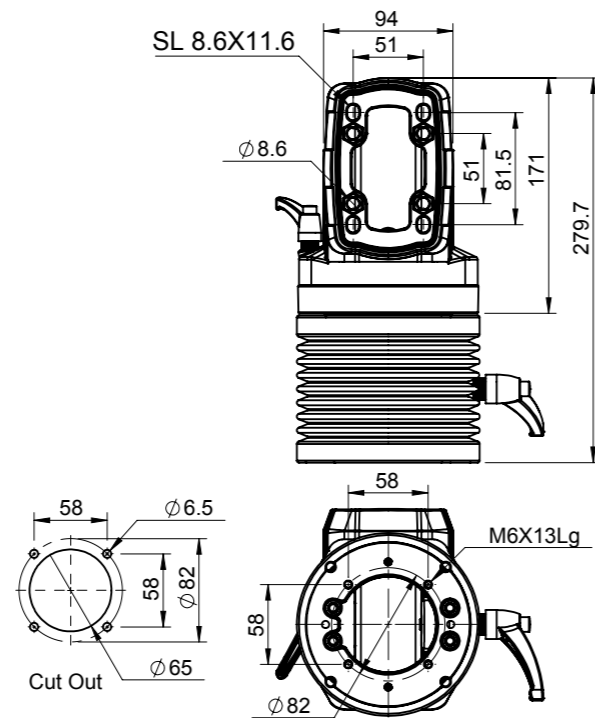
Product Code	Material	Finish	Rotation Angle	Lamp	Description
<b>DCPREH-75120-3</b>	Aluminium	RAL-7035 / 7016	310°	3 Floor : 3 Colour	Pivot Mount with Lamp Holder
<b>DCPREH-75120-5</b>	Aluminium	RAL-7035 / 7016	310°	1 Floor : 5 Colour	Pivot Mount with Lamp Holder
Use Torx Key set.					

# Support Arm System

## Support Arm



Product Code	Material	Finish	Rotation / Tilting Angle	Description
<b>DCRT-75120</b>	Aluminium	RAL-7035	310° / ± 45°	Tilt & Revolving Unit
Use Torx Key set.				



Product Code	Material	Finish	Rotation / Tilting Angle	Description
<b>DCRET-75120</b>	Aluminium	RAL-7035 / 7016	310° / ± 45°	Tilt & Revolving Elbow Unit
Use Torx Key set.				



CONVEYOR HANDLES  
 COMPONENTS LOCKS  
 CANOPY LATCHES  
 THREE POINT  
 HINGES  
 SUPPORT ARM  
 CABLE MANAGEMENT  
 ACCESSORIES  
 ALUMINIUM  
 SECTIONS  
 GASKET

**OUTLINE YOUR NEEDS,  
WE WILL DO THE REST**

All rights reserved in favour of  
Darshana Industries Pvt. Ltd.  
©2020